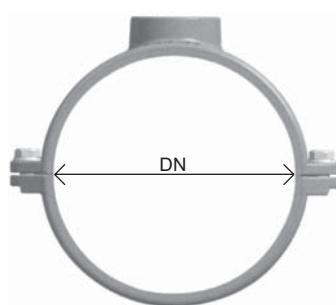
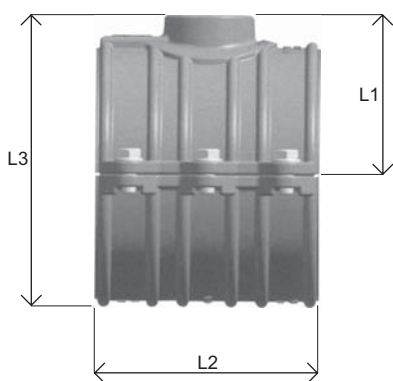


Serie BR-03 - Series BR-03

COLLARINO DI PRESA per tubi in PVC e PE PN10/16 - INTAKE RING for PVC and PE pipes PN10/16



Art. BR-03



Art. BR-03

Componenti	Materiali
Components	Materials
Corpo	Ghisa sferoidale GJS 500
Body	Ductile iron GJS 500
Coperchio	Ghisa sferoidale GJS 500
Cover	Ductile iron GJS 500
Bulloni	Acciaio inox A2-70
Bolts	Stainless steel A2-70
Guarnizione	EPDM
Gasket	EPDM

Rivestimento epossidico 250 micron.
Epoxy coated 250 micron.

Art. BR-03

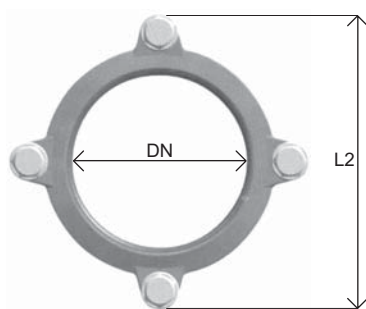
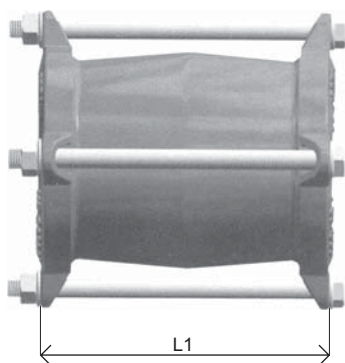
Ref.	DN	Uscita Outlet	L1	L2	L3
BR-03-DE050-100	50	1"	55	90	114
BR-03-DE063-100	63	1"	62	120	125
BR-03-DE063-114	63	1 1/4"	62	120	125
BR-03-DE063-112	63	1 1/2"	70	120	125
BR-03-DE063-200	63	2"	70	120	125
BR-03-DE075-100	75	1"	68	120	137
BR-03-DE075-114	75	1 1/4"	68	120	137
BR-03-DE075-112	75	1 1/2"	76	120	137
BR-03-DE075-200	75	2"	76	120	137
BR-03-DE090-100	90	1"	76	120	152
BR-03-DE090-114	90	1 1/4"	76	120	152
BR-03-DE090-112	90	1 1/2"	85	120	152
BR-03-DE090-200	90	2"	85	120	152
BR-03-DE110-100	110	1"	86	120	172
BR-03-DE110-114	110	1 1/4"	86	120	172
BR-03-DE110-112	110	1 1/2"	92,5	120	172
BR-03-DE110-200	110	2"	92,5	120	172
BR-03-DE125-100	125	1"	93	150	196
BR-03-DE125-112	125	1 1/2"	100	150	196
BR-03-DE125-200	125	2"	100	150	196
BR-03-DE140-100	140	1"	101	150	211
BR-03-DE140-112	140	1 1/2"	108	150	211
BR-03-DE140-200	140	2"	108	150	211
BR-03-DE160-100	160	1"	111	150	231
BR-03-DE160-112	160	1 1/2"	118	150	231
BR-03-DE160-200	160	2"	118	150	231
BR-03-DE180-100	180	1"	121	180	251
BR-03-DE180-200	180	2"	128	180	251
BR-03-DE200-100	200	1"	132	180	271
BR-03-DE200-200	200	2"	138	180	271
BR-03-DE250-200	250	2"	163	180	321
BR-03-DE315-200	315	2"	196	180	386

Serie BR-05 - Series BR-05

GIUNTO GIBAUT per tubazioni in PVC PN10/16 - GIBAUT COUPLING for PVC pipes PN10/16



Art. BR-05



Art. BR-05

Componenti	Materiali
Components	Materials
Corpo	Ghisa sferoidale GJS 500
Body	Ductile iron GJS 500
Flange	Ghisa sferoidale GJS 500
Flanges	Ductile iron GJS 500
Bulloni	Acciaio F114-6.8
Bolts	Steel F114-6.8
Guarnizione	EPDM
Gasket	EPDM

Rivestimento epossidico 250 micron.
Epoxy coated 250 micron.

Art. BR-05

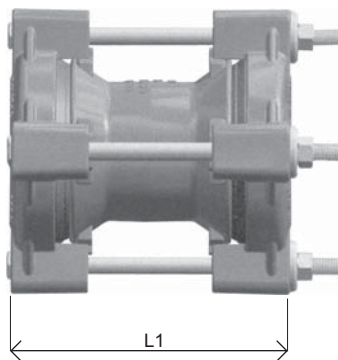
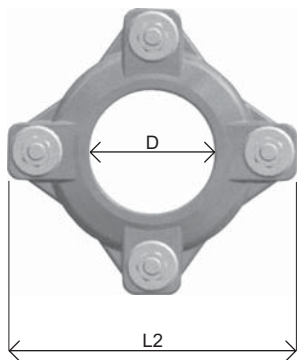
Ref.	DN	L1	L2
BR-05-DE063	63	142	137
BR-05-DE075	75	146	149
BR-05-DE090	90	146	164
BR-05-DE110	110	166	184
BR-05-DE125	125	166	199
BR-05-DE140	140	166	214
BR-05-DE160	160	206	234
BR-05-DE180	180	206	254
BR-05-DE200	200	208	274
BR-05-DE250	250	232	341
BR-05-DE315	315	232	406
BR-05-DE400	400	234	495
BR-05-DE500	500	234	596

Serie BR-12 - Series BR-12

GIUNTO UNIVERSALE PN10/16 - UNIVERSAL COUPLING PN10/16



Art. BR-12



Art. BR-12

Componenti	Materiali
Components	Materials
Corpo	Ghisa sferoidale GJS 500
Body	Ductile iron GJS 500
Flange	Ghisa sferoidale GJS 500
Flanges	Ductile iron GJS 500
Bulloni	Acciaio F114-8.8
Bolts	Steel F114-8.8
Guarnizione	EPDM
Gasket	EPDM

Rivestimento epossidico 250 micron.
Epoxy coated 250 micron.

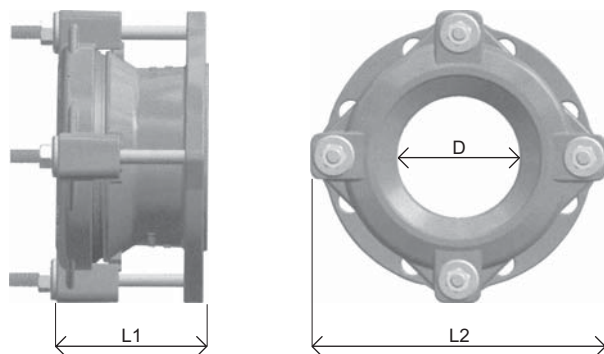
Art. BR-12

Ref.	DN	D	L1	L2
BR-12-DN050	50	60-80	186	190
BR-12-DN065	65	70-90	186	200
BR-12-DN080	80	88-113	186	223
BR-12-DN100	100	107-132	186	242
BR-12-DN125	125	133-159	206	269
BR-12-DN150	150	159-184	206	296
BR-12-DN175	175	165-195	222	317
BR-12-DN200	200	216-246	222	368
BR-12-DN250	250	266-297	242	419
BR-12-DN300	300	315-345	242	469
BR-12-DN300-A	300	345-375	242	499
BR-12-DN350	350	375-405	242	529
BR-12-DN400	400	400-435	292	565
BR-12-DN400-A	400	435-470	292	600
BR-12-DN450	450	475-510	292	640
BR-12-DN500	500	530-565	292	695
BR-12-DN600	600	610-645	292	775
BR-12-DN600-A	600	645-680	292	810

Serie BR-13 - Series BR-13
 FLANGIA UNIVERSALE con fermo PN10/16 - UNIVERSAL FLANGE with stop PN10/16



Art. BR-13



Art. BR-13

Componenti	Materiali
Components	Materials
Falngia adattatore	Ghisa sferoidale GJS 500
Flange adaptor	Ductile iron GJS 500
Contro flangia	Ghisa sferoidale GJS 500
Counter-flange	Ductile iron GJS 500
Bulloni	Acciaio F114-8.8
Bolts	Steel F114-8.8
Guarnizione	EPDM
Gasket	EPDM

Rivestimento epossidico 250 micron.
 Epoxy coated 250 micron.

Art. BR-13

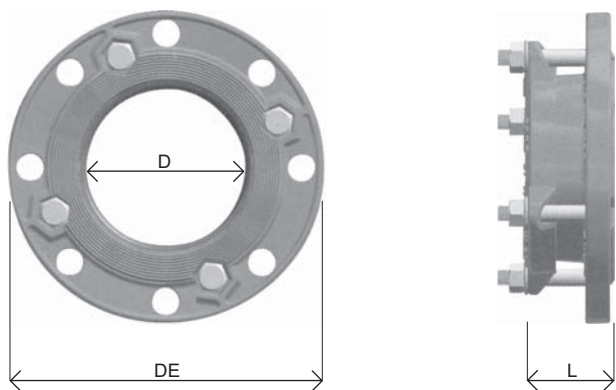
Ref.	DN	D	L1	L2
BR-13-DN050	50	60-80	145	190
BR-13-DN065	60/65	70-90	145	200
BR-13-DN080	80	88-113	150	223
BR-13-DN100	100	107-132	125	242
BR-13-DN125	125	133-159	140	269
BR-13-DN150	150	159-184	175	296
BR-13-DN175	175	165-195	183	317
BR-13-DN200	200	216-246	183	368
BR-13-DN250	250	266-297	158	419
BR-13-DN300	300	315-345	158	469
BR-13-DN300-A	300	345-375	200	499
BR-13-DN350	350	375-405	200	529
BR-13-DN400	400	400-435	209	565
BR-13-DN400-A	400	435-470	298	600
BR-13-DN450	450	475-510	298	640
BR-13-DN500	500	530-565	208	695
BR-13-DN600	600	610-645	208	775
BR-13-DN600-A	600	645-680	298	810

Serie BR-50 - Series BR-50

FLANGIA DI ACCOPPIAMENTO per tubazioni PVC PN10/16 - FLANGE ADAPTOR for PVC pipes PN10/16



Art. BR-50



Art. BR-50

Componenti	Materiali
Components	Materials
Falngia adattatore	Ghisa sferoidale GJS 500
Flange adaptor	Ductile iron GJS 500
Contro flangia	Ghisa sferoidale GJS 500
Counter-flange	Ductile iron GJS 500
Bulloni	Acciaio F114-8.8
Bolts	Steel F114-8.8
Guarnizione	EPDM
Gasket	EPDM

Rivestimento epossidico 250 micron.
Epoxy coated 250 micron.

Art. BR-50

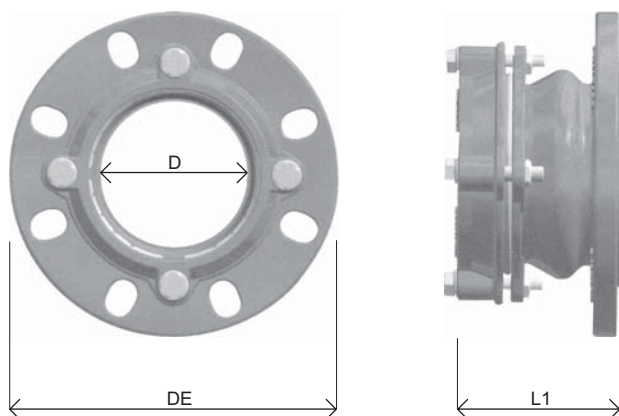
Ref.	DN	D	L	DE
BR-50-DE063	63	50-60-65	51	Ø 175
BR-50-DE075	75	50-60-65	53	Ø 175
BR-50-DE090	90	80	53	Ø 190
BR-50-DE110	110	100	58	Ø 210
BR-50-DE125	125	125	58	Ø 240
BR-50-DE140	140	125	58	Ø 240
BR-50-DE160	160	150	68	Ø 275
BR-50-DE180	180	150	68	Ø 275
BR-50-DE200	200	200	69	Ø 330
BR-50-DE250	250	250	101	Ø 403
BR-50-DE315	315	300	101	Ø 458
BR-50-DE400	400	400	122	Ø 576
BR-50-DE500	500	500	122	Ø 704

Serie BR-51 - Series BR-51

FLANGIA DI ACCOPPIAMENTO per tubi PE PN10/16 - FLANGE ADAPTOR for Polythene pipes PN10/16



Art. BR-51



Art. BR-51

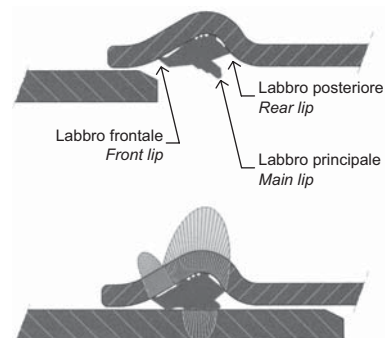
Componenti	Materiali
Components	Materials
Falngia adattatore	Ghisa sferoidale GJS 500
Flange adaptor	Ductile iron GJS 500
Contro flangia	Ghisa sferoidale GJS 500
Counter-flange	Ductile iron GJS 500
Bulloni	Acciaio F114-8.8
Bolts	Steel F114-8.8
Anello tenuta	Acciaio F114
Grip ring	Steel F114
Guarnizione	EPDM
Gasket	EPDM

Rivestimento epossidico 250 micron.
Epoxy coated 250 micron.

Art. BR-51

Ref.	DN	D	L1	DE
BR-51-DE063	63	50-60-65	109	Ø 175
BR-51-DE075	75	50-60-65	109	Ø 175
BR-51-DE090	90	80	114	Ø 200
BR-51-DE110	110	100	119	Ø 224
BR-51-DE125	125	125	119	Ø 254
BR-51-DE140	140	125	124	Ø 254
BR-51-DE160	160	150	139	Ø 285
BR-51-DE180	180	150	139	Ø 285
BR-51-DE200	200	200	162	Ø 340
BR-51-DE250	250	250	184	Ø 405
BR-51-DE315	315	300	207	Ø 472

Particolare accoppiamento
Detail of the compression

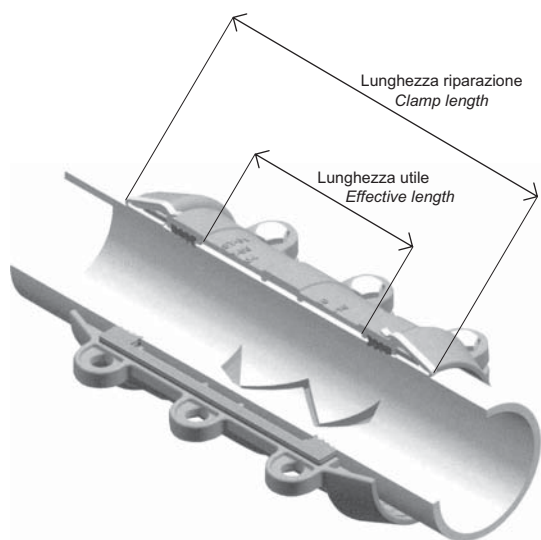


Serie BR-31 - Series BR-31

GIUNTO DI RIPARAZIONE per tubazioni PE PN10/16 - REPAIR CLAMP for Polythene pipe PN10/16



Art. BR-31



Art. BR-31

Componenti	Materiali
Components	Materials
Giunto	Ghisa sferoidale GJS 500
Clamp	Ductile iron GJS 500
Anello tenuta	Acciaio F114
Grip ring	Steel F114
Bulloni	Acciaio F114-8.8
Bolts	Steel F114-8.8
Guarnizione	EPDM
Gasket	EPDM

Rivestimento epossidico 250 micron.
Epoxy coated 250 micron.

Art. BR-31

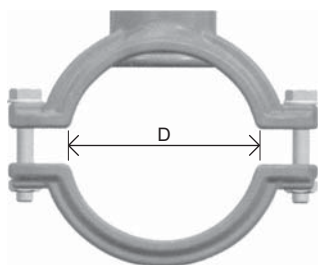
Ref.	DN tubazione DN Pipe	Lunghezza riparazione Clamp length	Lunghezza utile Effective length
BR-31-DE075	75	304	172
BR-31-DE090	90	304	172
BR-31-DE110	110	304	172
BR-31-DE125	125	354	222
BR-31-DE140	140	354	222
BR-31-DE160	160	408	272
BR-31-DE180	180	408	272
BR-31-DE200	200	424	272
BR-31-DE250	250	470	318
BR-31-DE315	315	520	368

Serie BR-32 - Series BR-32

COLLARE DI PRESA per tubazioni PVC PN10/16- INTAKE RING for PVC pipes PN10/16



Art. BR-32



Art. BR-32

Componenti	Materiali
Components	Materials
Corpo	Ghisa sferoidale GJL 250
Body	Ductile iron GJL 250
Coperchio	Ghisa sferoidale GJS 500
Cover	Ductile iron GJS 500
Bulloni	Acciaio F 114-8.8
Bolts	Steel F114-8.8
Guarnizione	EPDM
Gasket	EPDM

Rivestimento epossidico 250 micron.
Epoxy coated 250 micron.

Art. BR-32

Ref.	D	Uscita Outlet
BR-32-DE040-034	40	¾"
BR-32-DE040-100	40	1"
BR-32-DE050-034	50	¾"
BR-32-DE050-100	50	1"
BR-32-DE063-034	63	¾"
BR-32-DE063-100	63	1"
BR-32-DE075-034	75	¾"
BR-32-DE075-100	75	1"
BR-32-DE075-114	75	1 ¼"
BR-32-DE075-112	75	1 ½"
BR-32-DE090-034	90	¾"
BR-32-DE090-100	90	1"
BR-32-DE090-114	90	1 ¼"
BR-32-DE090-112	90	1 ½"
BR-32-DE110-034	110	¾"
BR-32-DE110-100	110	1"
BR-32-DE110-114	110	1 ¼"
BR-32-DE110-112	110	1 ½"
BR-32-DE110-200	110	2"
BR-32-DE125-100	125	1"
BR-32-DE125-114	125	1 ¼"
BR-32-DE125-112	125	1 ½"
BR-32-DE125-200	125	2"
BR-32-DE140-100	140	1"
BR-32-DE140-112	140	1 ½"
BR-32-DE140-200	140	2"
BR-32-DE160-100	160	1"
BR-32-DE160-112	160	1 ½"
BR-32-DE160-200	160	2"

Serie BR-60 - Series BR-60

COLLARINO DI PRESA UNIVERSALE PN10/16 - UNIVERSAL INTAKE RING PN10/16



Art. BR-60



Art. BR-60

Componenti	Materiali
Components	Materials
Corpo	Ghisa sferoidale GJS 500
Body	Ductile iron GJS 500
Anello	Ghisa sferoidale GJS 500
Washer	Ductile iron GJS 500
Fascia	Acciaio inossidabile
Band	Stainless steel
Bulloni	Acciaio F 114-8.8
Bolts	Steel F114-8.8
Guarnizione	EPDM
Gasket	EPDM

Rivestimento epossidico 250 micron.
Epoxy coated 250 micron.

Art. BR-60

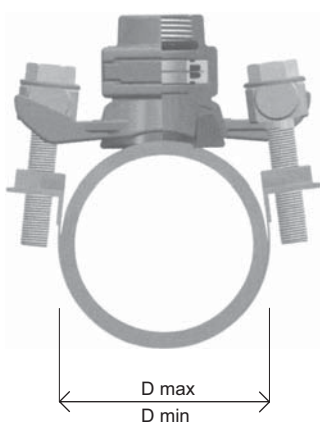
Corpo Body		Fascia Band			
Ref.	Uscita Outlet	Ref.	DN	D min	D max
BR-60-034	3/4"				
BR-60-100	1"				
		BR-62-00060	50-60-65	60	94
		BR-62-00088	80-100	88	130
		BR-62-00133	125	133	159
		BR-62-00159	150	159	192
		BR-62-00216	200	216	254
		BR-62-00267	250	267	316
		BR-62-00318	300	318	368
		BR-62-00355	350	355	428
		BR-62-00406	400	406	488
		BR-62-00470	450	470	546
		BR-62-00508	500	508	606
BR-60-114	1 1/4"				
BR-60-112	1 1/2"				
BR-60-200	2"				
		BR-62-00088	80-100	88	130
		BR-62-00133	125	133	159
		BR-62-00159	150	159	192
		BR-62-00216	200	216	254
		BR-62-00267	250	267	316
		BR-62-00318	300	318	368
		BR-62-00355	350	355	428
		BR-62-00406	400	406	488
		BR-62-00470	450	470	546
		BR-62-00508	500	508	606

Serie BR-06 - Series BR-06

COLLARINO DI PRESA IN CARICO UNIVERSALE PN10/16 - UNIVERSAL INTAKE RING for under pressure pipes PN10/16



Art. BR-06



Art. BR-06

Componenti	Materiali
Components	Materials
Corpo	Ghisa sferoidale GJS 500
Body	Ductile iron GJS 500
Anello	Ghisa sferoidale GJS 500
Washer	Ductile iron GJS 500
Bulloni	Acciaio F 114-8.8
Bolts	Steel F114-8.8
Guarnizione	EPDM
Gasket	EPDM
Coperchio	POM
Cover	POM
Anello	Acciaio inossidabile
Washer	Stainless steel
Spatola	Acciaio inossidabile
Spatula	Stainless steel

Rivestimento epossidico 250 micron.
Epoxy coated 250 micron.

Art. BR-06

Corpo Body		Fascia Band			
Ref.	Uscita Outlet	Ref.	DN	D min	D max
BR-06-034	3/4"				
BR-06-100	1"				
		BR-62-00060	50-60-65	60	94
		BR-62-00088	80-100	88	130
		BR-62-00133	125	133	159
		BR-62-00159	150	159	192
		BR-62-00216	200	216	254
		BR-62-00267	250	267	316
		BR-62-00318	300	318	368
		BR-62-00355	350	355	428
		BR-62-00406	400	406	488
		BR-62-00470	450	470	546
		BR-62-00508	500	508	606
BR-06-114	1 1/4"				
BR-06-112	1 1/2"				
BR-06-200	2"				
		BR-62-00088	80-100	88	130
		BR-62-00133	125	133	159
		BR-62-00159	150	159	192
		BR-62-00216	200	216	254
		BR-62-00267	250	267	316
		BR-62-00318	300	318	368
		BR-62-00355	350	355	428
		BR-62-00406	400	406	488
		BR-62-00470	450	470	546
		BR-62-00508	500	508	606

Art. BR-70 Accessorio di chiusura
Art. BR-70 Shut-off fitting



Ref.	Descrizione Description
BR-70-100	Spatola piccola Small spatula
BR-70-200	Spatola grande Large spatula