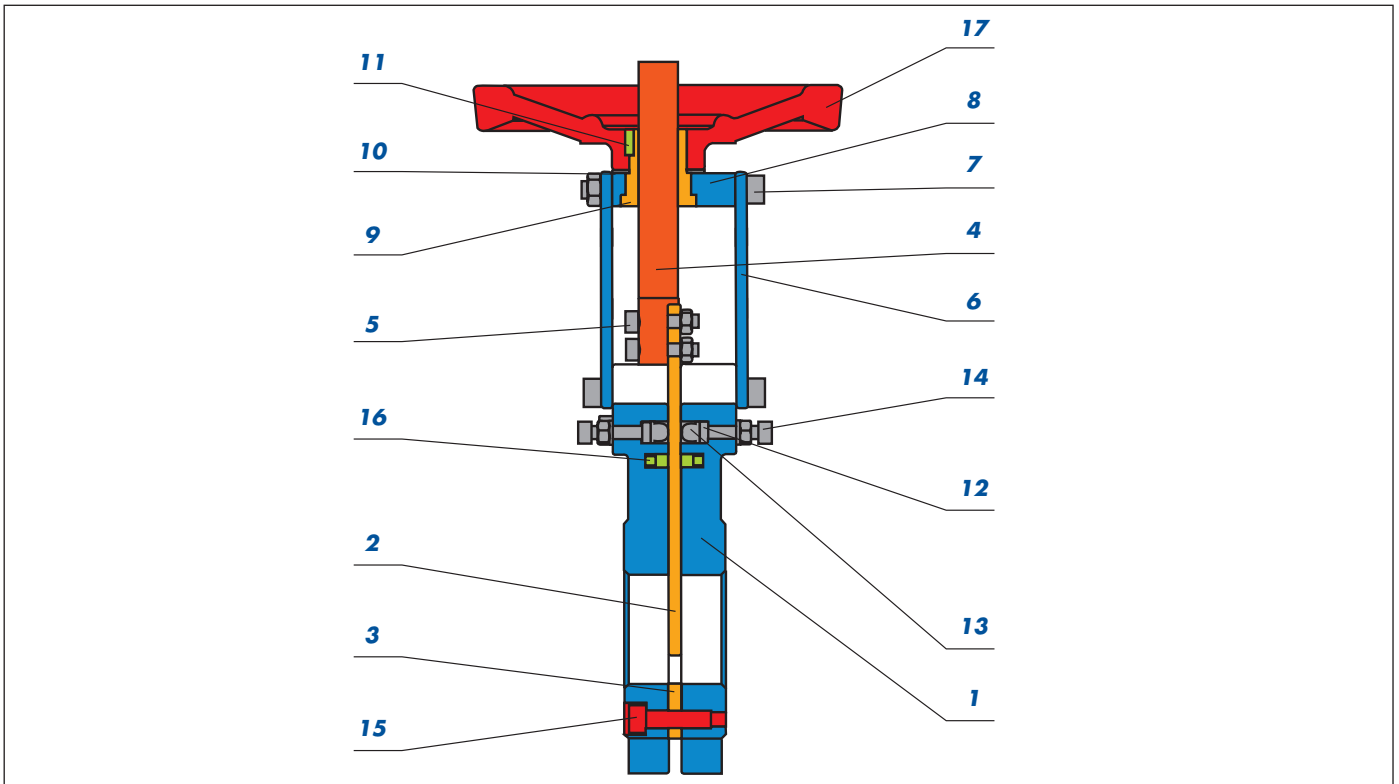


Construction details

Knife gate valves

Series 18.000



	18.000 18.000D	18.001 18.001D	18.002 18.002D	18.003 18.003D	18.006 18.006D	18.009 18.009D		
With gear box								
With pneumatic actuator								
N°	Description	Quant.						
1	Body	1	GG25 Cast iron					
2	Gate	1	AISI 316					
3	Seat	1	Butyl	NBR	Viton®	PTFE	Metal/Metal	EPDM
4	Stem	1	AISI 303					
5	Nut	2	AISI 304					
6	Column	2	Fe 360 B					
7	Screw	4	AISI 304					
8	Bearing	1	F-1111					
9	Bushing	1	Bronze					
10	Washer	1	Bronze					
11	Stud-bolt	1	AISI 304					
12	Push rod	2	AISI 316					
13	Packing gland	2	Butyl					
14	Screw	2	AISI 304					
15	Screw	1	AISI 304					
16	Scraper	2						
17	Control	1	Manual/Reducer/Pneumatic/Electric					

Via Novara, 199 - 28078 Romagnano Sesia (No) ITALY
 Tel. +39 0163 8281 11 - Fax +39 0163 8281 30
 Internet: www.brandoni.it



Data and specifications are only available as information. Brandoni S.p.A. reserves the right to modify one or more valve specifications without warning.

DT090
P.C. 18.000/12-2005/GB

Construction details

Knife gate valves Series 18.000

With gear box With pneumatic actuator			18.400 18.400D	18.401 18.401D	18.402 18.402D	18.403 18.403D	18.409 18.409D	18.835 18.835D	18.836 18.836D	18.838 18.838D	
N°	Description	Quant.					AISI 304 L	AISI 316 TI			
1	Body	1	WCB				AISI 304 L	AISI 316 TI			
2	Gate	1	AISI 316				AISI 304 L	AISI 316 TI			
3	Seat	1	Butyl	NBR	Viton®	PTFE	EPDM	Rubber	Metal/Metal	Polyurethane	
4	Stem	1					AISI 303				
5	Nut	2					AISI 304				
6	Column	2					Fe 360 B				
7	Screw	4					AISI 304				
8	Bearing	1					F-1111				
9	Bushing	1					Bronze				
10	Washer	1					Bronze				
11	Stud-bolt	1					AISI 304				
12	Push rod	2					AISI 316				
13	Packing gland	2					Butyl				
14	Screw	2					AISI 304				
15	Screw	1					AISI 304				
16	Scraper	2									
17	Control	1					Manual/Reducer/Pneumatic/Electric				

With gear box With pneumatic actuator			18.601 18.601D	18.602 18.602D	18.603 18.603D	18.606 18.606D	18.607 18.607D	18.609 18.609D	18.256 18.256D	18.376 18.376D	
N°	Description	Quant.					AISI 316	Duplex		Hastelloy	
1	Body	1					AISI 316	Duplex		Hastelloy	
2	Gate	1					AISI 316	Duplex		Hastelloy	
3	Seat	1	NBR	Viton®	PTFE	Metal/Metal	W. Silicon	EPDM	Metal/Metal		
4	Stem	1					AISI 303				
5	Nut	2					AISI 304				
6	Column	2					Fe 360 B				
7	Screw	4					AISI 304				
8	Bearing	1					F-1111				
9	Bushing	1					Bronze				
10	Washer	1					Bronze				
11	Stud-bolt	1					AISI 304				
12	Push rod	2					AISI 316				
13	Packing gland	2					Butyl				
14	Screw	2					AISI 304				
15	Screw	1					AISI 304				
16	Scraper	2									
17	Control	1					Manual/Reducer/Pneumatic/Electric				

Variants			18X600 18X000D	18X601 18X601D	18X602 18X602D	18X603 18X603D	18X606 18X606D	18X607 18X607D	18X609 18X609D	
N°	Description	Quant.	AISI 316							
6	Column	2	AISI 316							

Via Novara, 199 - 28078 Romagnano Sesia (No) ITALY
Tel. +39 0163 8281 11 - Fax +39 0163 8281 30
Internet: www.brandoni.it

