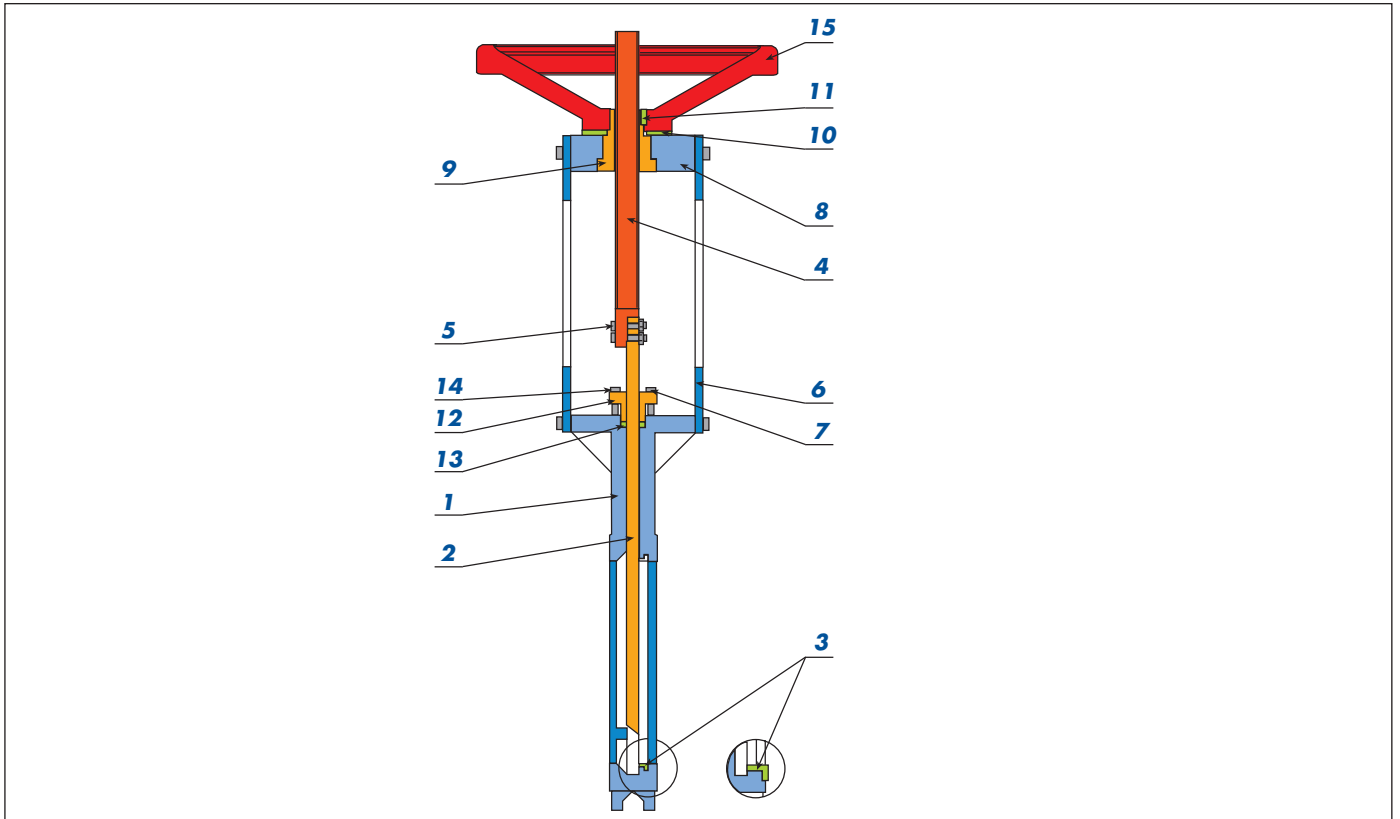


Construction details

Knife gate valves

Series 19.000



With gear box With pneumatic actuator		19.000 19.000D	19.001 19.001D	19.002 19.002D	19.003 19.003D	19.006 19.006D	19.009 19.009D
N°	Description	Quant.					
1	Body	1 GG25 Cast iron					
2	Gate	1 AISI 316					
3	Seat	1 Butyl	1 NBR	1 Viton®	1 PTFE	1 Metal/Metal	1 EPDM
4	Stem	1 AISI 303					
5	Nut	2 AISI 304					
6	Column	2 Fe 360 B					
7	Screw	4 AISI 304					
8	Bearing	1 F-1111					
9	Bushing	1 Bronze					
10	Washer	1 Bronze					
11	Stud-bolt	1 AISI 304					
12	Push rod	1 AISI 316					
13	Packing gland	1 Butyl					
14	Nut	4 AISI 304					
15	Control	1 Manual/Reducer/Pneumatic/Electric					

Data and specifications are only available as information. Brandoni S.p.A. reserves the right to modify one or more valve specifications without warning.

DT091
P.C.19.000/12-2005/GB

Construction details

Knife gate valves

Series 19.000

With gear box With pneumatic actuator			19.400 19.400D	19.401 19.401D	19.402 19.402D	19.403 19.403D	19.409 19.409D	19.835 19.835D	19.836 19.836D
N°	Description	Quant.					AISI 304 L	AISI 316 TI	
1	Body	1	WCB				AISI 304 L	AISI 316 TI	
2	Gate	1	AISI 316				AISI 304 L	AISI 316 TI	
3	Seat	1	Butyl	NBR	Viton®	PTFE	EPDM	Rubber	Metal/Metal
4	Stem	1					AISI 303		
5	Nut	2					AISI 304		
6	Column	2					Fe 360 B		
7	Screw	4					AISI 304		
8	Bearing	1					F-1111		
9	Bushing	1					Bronze		
10	Washer	1					Bronze		
11	Stud-bolt	1					AISI 304		
12	Push rod	1					AISI 316		
13	Packing gland	1					Butyl		
14	Nut	4					AISI 304		
15	Control	1	Manual/Reducer/Pneumatic/Electric						

Whit gear box With pneumatic actuator			19.601 19.601D	19.602 19.602D	19.603 19.603D	19.606 19.606D	19.607 19.607D	19.609 19.609D	19.256 19.256D	19.376 19.376D
N°	Description	Quant.					AISI 316	Duplex Hastelloy		
1	Body	1					AISI 316	Duplex Hastelloy		
2	Gate	1					AISI 316	Duplex Hastelloy		
3	Seat	1	NBR	Viton®	PTFE	Metal/Metal	W. Silicon	EPDM	Metal/Metal	
4	Stem	1					AISI 303			
5	Nut	2					AISI 304			
6	Column	2					Fe 360 B			
7	Screw	4					AISI 304			
8	Bearing	1					F-1111			
9	Bushing	1					Bronze			
10	Washer	1					Bronze			
11	Stud-bolt	1					AISI 304			
12	Push rod	1					AISI 316			
13	Packing gland	1					Butyl			
14	Nut	4					AISI 304			
15	Control	1	Manual/Reducer/Pneumatic/Electric							

Variants			19X600 19X000D	19X601 19X601D	19X602 19X602D	19X603 19X603D	19X606 19X606D	19X607 19X607D	19X609 19X609D
N°	Description	Quant.							
6	Column	2	AISI 316						

Via Novara, 199 - 28078 Romagnano Sesia (No) ITALY
Tel. +39 0163 8281 11 - Fax +39 0163 8281 30
Internet: www.brandoni.it

