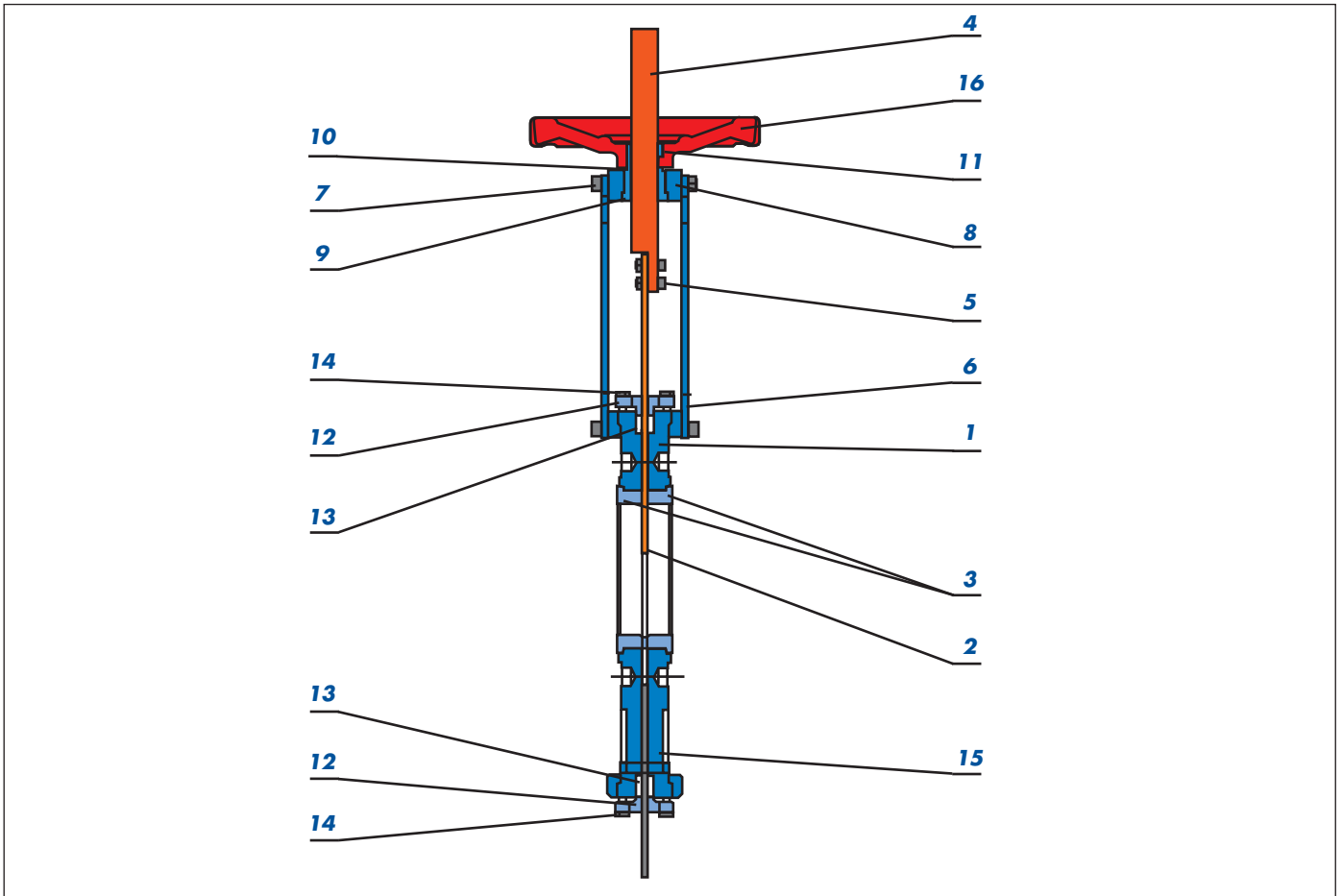


Construction details

Knife gate valves

Series 23.000



Whit gear box Whit pneumatic actuator	23.000 23.000D	23.001 23.001D	23.002 23.002D	23.003 23.003D	23.006 23.006D	23.009 23.009D
N° Description Quant.						
1 Body	1 GG25 Cast iron					
2 Gate	1 AISI 316					
3 Seat	2	Butyl	NBR	Viton®	PTFE	Metal/Metal EPDM
4 Stem	1 AISI 303					
5 Nut	2 AISI 304					
6 Column	2 Fe 360 B					
7 Screw	4 AISI 304					
8 Bearing	1 F-1111					
9 Bushing	1 Bronze					
10 Washer	1 Bronze					
11 Stud-bolt	1 AISI 304					
12 Push rod	2 AISI 316					
13 Packing gland	2 Butyl					
14 Screw	8 AISI 304					
15 Grub screw	- AISI 304					
16 Control	1 Manual/Pneumatic/Electric					

Via Novara, 199 - 28078 Romagnano Sesia (No) ITALY
 Tel. +39 0163 8281 11 - Fax +39 0163 8281 30
 Internet: www.brandoni.it



Construction details

Knife gate valves

Series 23.000

Whit gear box Whit pneumatic actuator			23.600 23.600D	23.601 23.601D	23.602 23.602D	23.603 23.603D	23.606 23.606D	23.607 23.607D	23.609 23.609D
N°	Description	Quant.							
1	Body	1	AISI 316						
2	Gate	1	AISI 316						
3	Seat	2	Butyl	NBR	Viton®	PTFE	Metal/Metal	W. Silicon	EPDM
4	Stem	1	AISI 316						
5	Nut	2	Fe 360 B						
6	Column	2	AISI 316						
7	Screw	4	AISI 304						
8	Bearing	1	AISI 316						
9	Bushing	1	Bronze						
10	Washer	1	Bronze						
11	Stud-bolt	1	AISI 304						
12	Push rod	2	AISI 316						
13	Packing gland	2	Butyl						
14	Screw	8	AISI 304						
15	Grub screw	-	AISI 304						
16	Control	1	Manual/Pneumatic/Electric						

Variants			23X600 23X600D	23X601 23X601D	23X602 23X602D	23X603 23X603D	23X606 23X606D	23X607 23X607D	23X609 23X609D
N°	Description	Quant.							
6	Column	2	AISI 316						

Data and specifications are only available as information.
Brandoni S.p.A. reserves the right to modify one or more valve specifications without warning.

DT092
P.C.23.000/12-2005/GB