

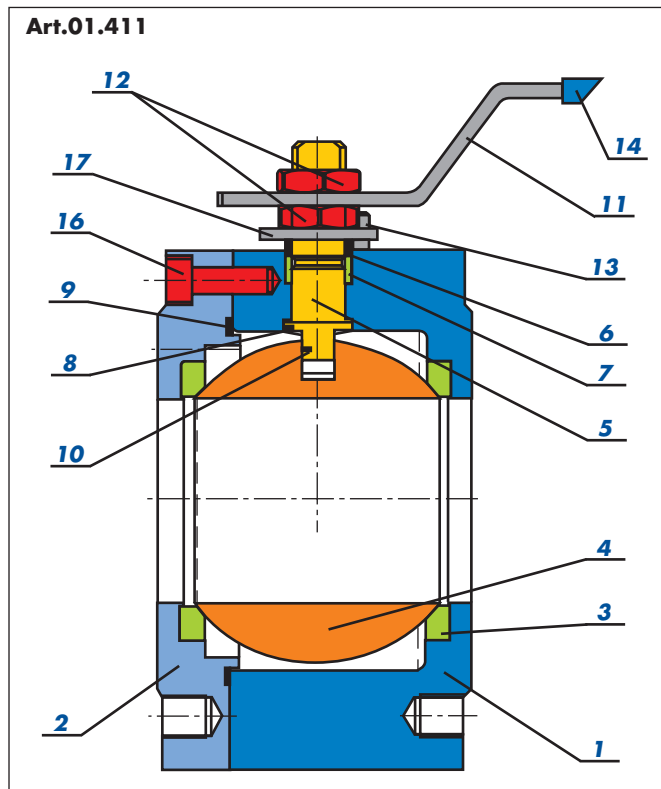
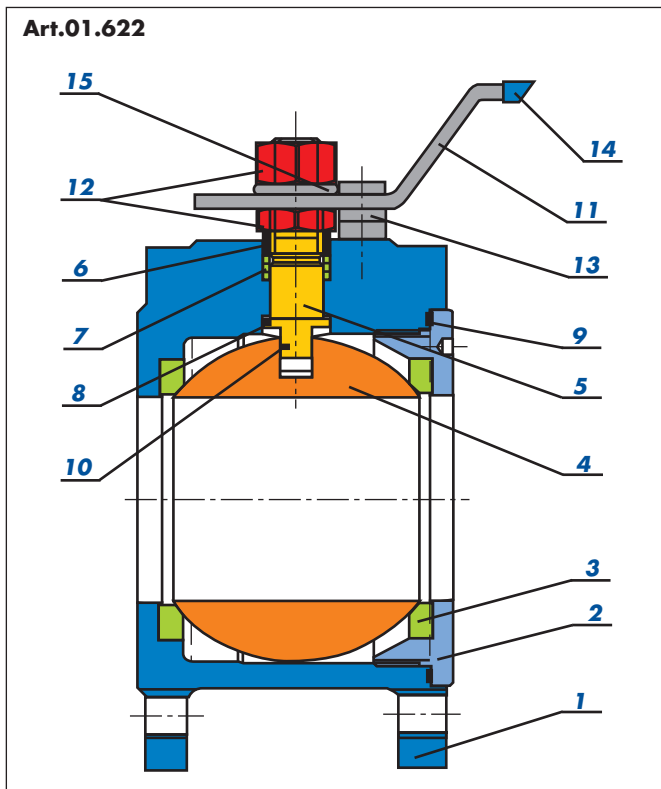
Data and specifications are only available as information. Brandoni S.p.A. reserves the right to modify one or more valve specifications without warning.

DT071
P.C.01.622/12-2005/GB

Construction details

Ball valve

Serie 01.622 - 01.411



			01.622	01.411
N°	Description	Quant.		
1	Body	1	AISI 316	ASTM A 105
2	Ring	1	AISI 316	ASTM A 105
3	Ball seat	2	PTFE - R 15%	PTFE-R
4	Ball	1	AISI 316	AISI 304
5	Stem	1	AISI 316	AISI 420
6	Pressing bush	1	AISI 304	Steel
7	Stem packing	1	PTFE - R 15%	PTFE
8	Ring	1	PTFE	AISI 304
9	Body seal	1	PTFE - R 15%	PTFE
10	Antistatic	1	AISI 304	AISI 304
11	Handle	1	AISI 304	Steel
12	Nut	2	AISI 304	Steel
13	Stop pin	1	AISI 304	Steel
14	Plastic cover	1	Plastic	Plastic
15	Washer	1	AISI 304	
16	Screw	1		AISI 316
17	Plate	1		Steel

Via Novara, 199 - 28078 Romagnano Sesia (No) ITALY
Tel. +39 0163 8281 11 - Fax +39 0163 8281 30
Internet: www.brandoni.it

