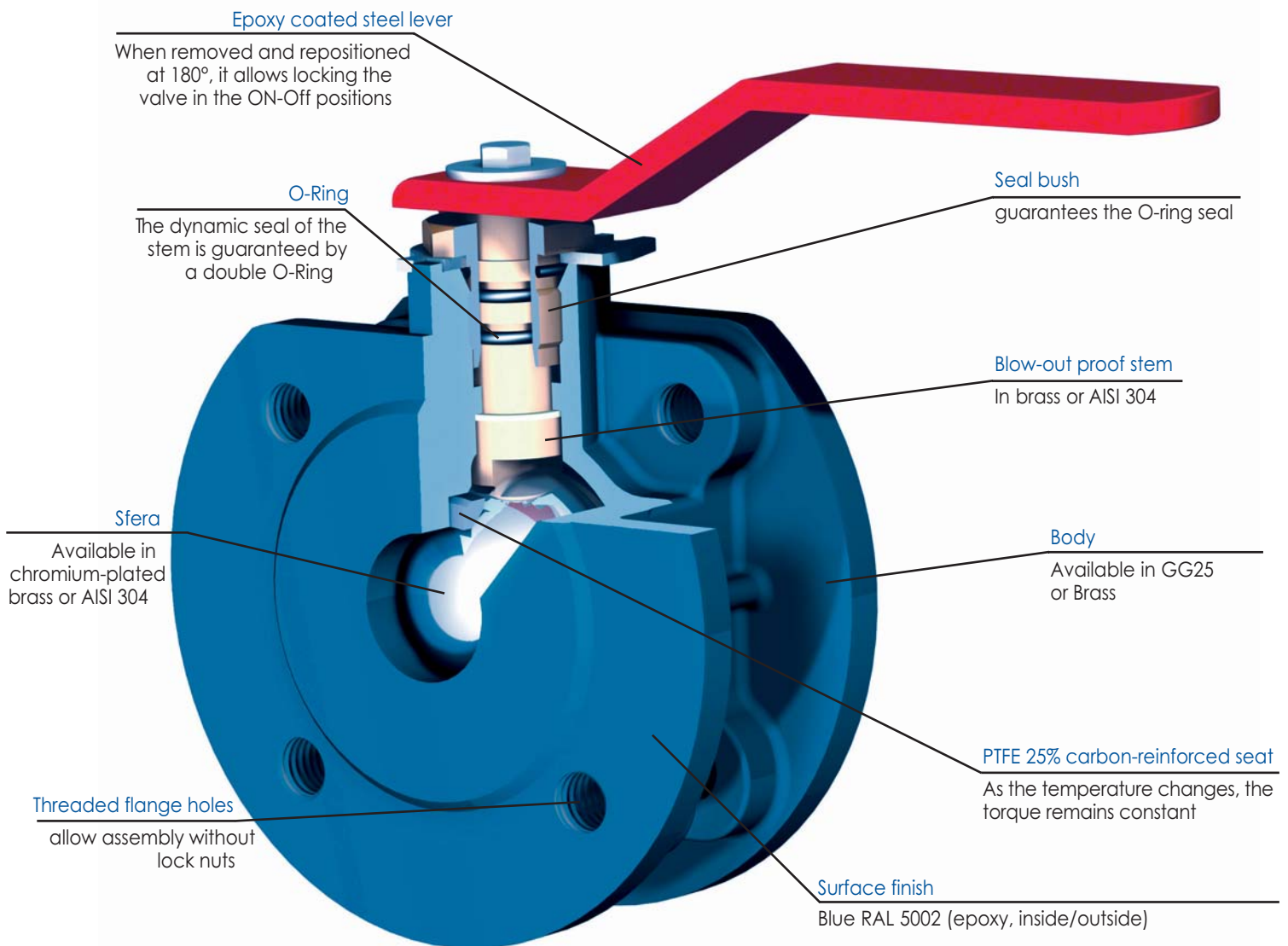


SERIE 01

Wafer ball valve PN16

- For water, heating/air conditioning, and compressed air processing
- Minimum dimensions
- Full bore
- Possible padlock kit assembly
- Possible extension fitting for insulation and square joint
- Not suitable for choking
- Not suitable for steam
- **In conformity with directive 97/23/CE (PED).**

ball
valves



Non-standard face to face dimension

Most compact design

Headquarters: Via Novara, 199 - 28078 Romagnano Sesia (No) ITALY
Tel. 0163 8281 11 - Fax 0163 8281 30
Warehouse: Via Fantoli 15/1/i - Milano -
Tel. 02 58 010 514 - Fax 02 58 018 264
E-mail: info@brandoni.it - www.brandoni.it



SERIE 01

Wafer ball valve PN16

Pressure: from 0 to 16 bar

Temperature: -10 +100°C

articles available

Art. 01.0

- For water processing, heating/ventilation, compressed air.

01.000

- Ball: brass
- Stem: brass

body:

01.010

- Ball: AISI 304
- Stem: brass

GG25 Cast iron

01.011

- Ball: AISI 304
- Stem: AISI 304



Art. 01.2

- For water processing, heating/ventilation, compressed air.

01.200

- Ball: brass
- Stem: brass

body:

01.210

- Ball: AISI 304
- Stem: brass

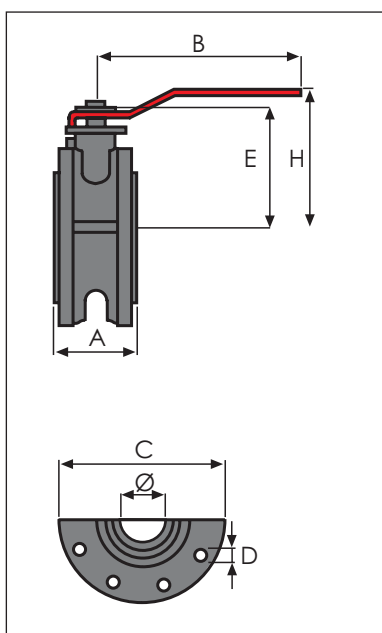
Brass

01.211

- Ball: AISI 304
- Stem: AISI 304



Technical data



Dimensions (mm)

DN	20	25	32	40	50	65	80	100
Ø	20	25	32	40	50	63	76	95
A	40	50	55	65	80	100	120	130
B	130	170	170	220	220	284	284	360
C	105	115	140	150	165	185	200	220
D	4xM12	4xM12	4xM16	4xM16	4xM16	4xM16	8xM16	8xM16
H	85	95	100	118	125	152	166	180
E	61,1	68,7	72,7	88	95,5	120,1	135,6	150,4

Weight

Kg	0,82	1,25	1,86	2,42	3,1	5,23	8,5	12,4
----	------	------	------	------	-----	------	-----	------

Operating Torque - ΔP = 16 BAR

Nm	15	18	18	18	20	40	70	70
----	----	----	----	----	----	----	----	----

N.B. For the choice of the right actuator size the operating torque figure should be multiplied by a safety coefficient of 1.5