

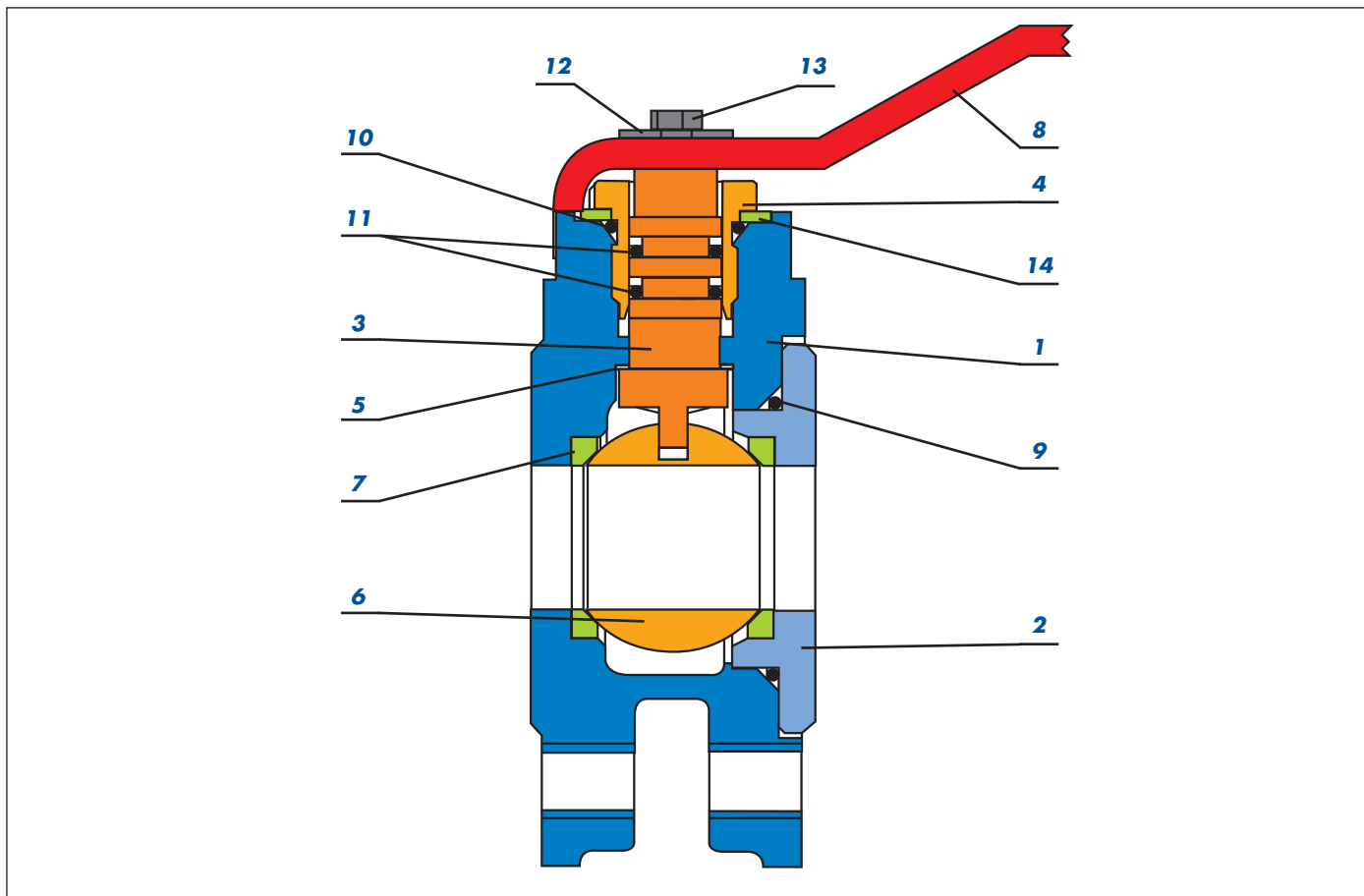
Data and specifications are only available as information. Brandoni S.p.A. reserves the right to modify one or more valve specifications without warning.

DT070
P.C.01/12-2005/GB

Construction details

Ball valves

Series 01



	01.000	01.010	01.011	01.200	01.210	01.211
N° Description Quant.						
1 Body	1	GG25 Cast iron		Brass G/CuZn40Pb2		
2 Ring	1	Brass P/CuZn40Pb2 / GG25 Cast iron*		Brass P/CuZn40Pb2		
3 Stem	1	Brass P/CuZn40Pb2	AISI 304	Brass P/CuZn40Pb2	AISI 304	
4 Bushing	1	Brass P/CuZn40Pb2	AISI 316	Brass P/CuZn40Pb2	AISI 316	
5 Ring	1	PTFE**				
6 Ball	1	Brass G/CuZn40Pb2	AISI 304	Brass G/CuZn40Pb2	AISI 304	
7 Ball seat	2	PTFE + Graphite				
8 Handle	1	Fe 360C				
9 O-Ring	1	NBR 70 Sh				
10 O-Ring	1	NBR 70 Sh				
11 O-Ring	2	NBR 70 Sh				
12 Washer	1	C30 Zn				
13 Screw	1	C40 Zn				
14 Plate	1	Fe 360C				

*: DN 65-80-100 **: Brass P/CuZn40Pb2 for DN 20

Via Novara, 199 - 28078 Romagnano Sesia (No) ITALY
Tel. +39 0163 8281 11 - Fax +39 0163 8281 30
Internet: www.brandoni.it

