

SERIE 02

Flanged ball valve PN16

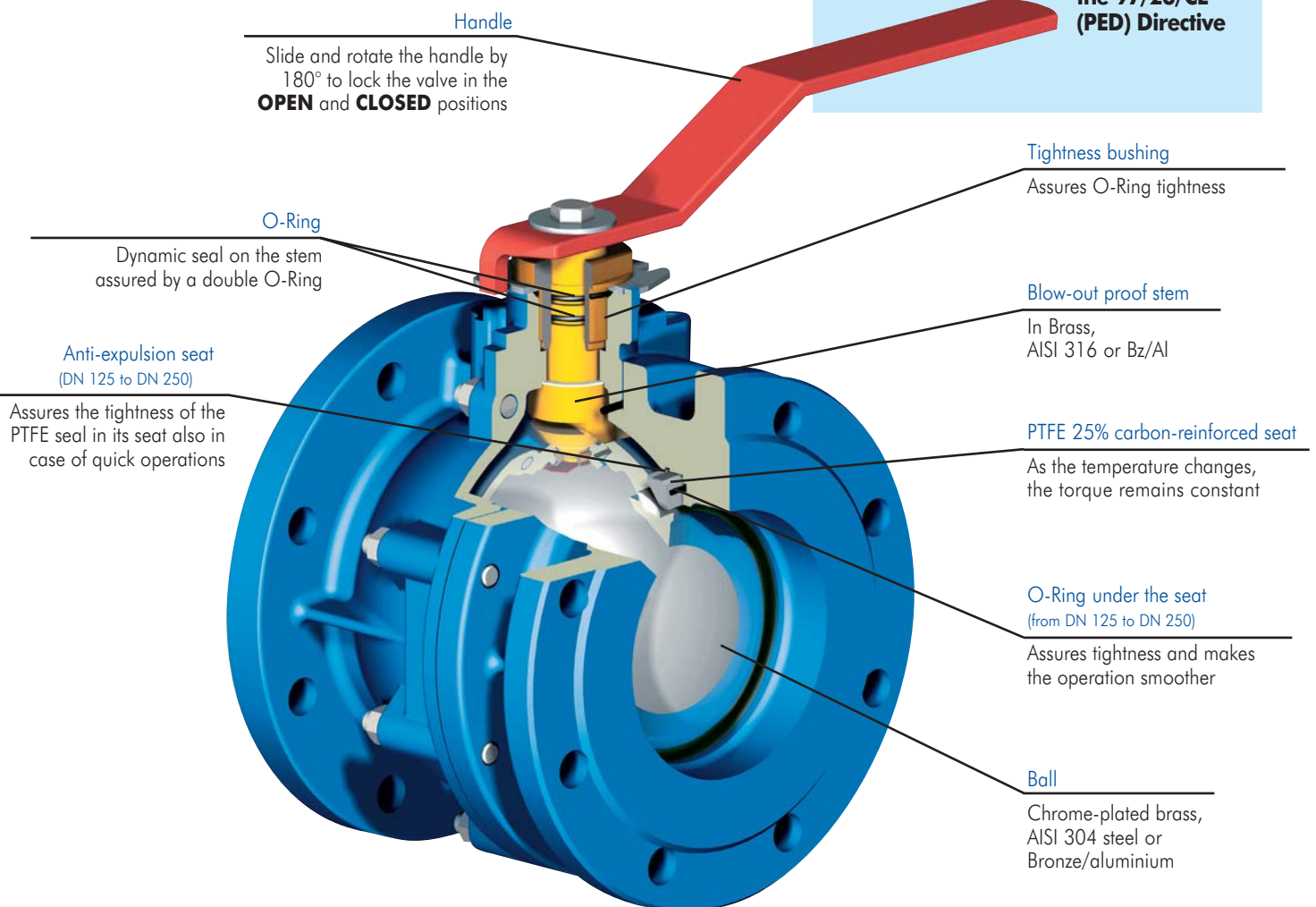
- For industrial water supplies, heating/ventilation plants, industrial, agricultural, chemical and naval uses. Remote heating, superheated water systems, compressed air.
- For gas distribution networks (natural gas, town gas, LPG.)
- Full bore
- Interchangeability with flat and oval body sluice valves
- When buried underground, the valves is supplied with a stem extension ending
- With an ISO 5211 plate for actuator mounting
- Not suitable for choking
- Not suitable for steam

- Complying with the 97/23/CE (PED) Directive

Standard:

Face to face: EN558 serie 14 (ex DIN3202 F4)
EN558 serie 15 (ex DIN3202 F5)
EN558 serie 3 (ex ANSI B16.1)
EN558 serie 29 (ex NF E 29-323)

Flange: UNIEN1092/2 PN6 - PN10 - PN16 - ANSI B16.5



Headquarters: Via Novara, 199 - 28078 Romagnano Sesia (No) ITALY
Tel. +39 0163 8281 11 - Fax +39 0163 8281 30
Warehouse: Via Fantoli 15/1/i - Milano -
Tel. 02 58 010 514 - Fax 02 58 018 264
E-mail: info@brandoni.it - www.brandoni.it



SERIE 02

Flanged ball valve PN16

Pressure:
from DN 15 to DN 200, max 16 bar
DN 250, max 10 bar

Temperature:
see pressure/temperature chart



DN20 ÷ DN40
One-Piece Body



DN50 ÷ DN250
Split Body

available items

Art. 02.0

- For industrial water supplies, heating/ventilation plants and compressed air

02.010

- Ball: AISI 304
- Stem: Brass
- O-Ring: NBR
- T° from -10 to 100°C

02.000

- Ball: chrome plated Brass
- Stem: Brass
- O-Ring: NBR
- T° from -10 to 100°C

body:

GG25



- Colour RAL 5002
- Water-based paint: with low environmental noxiousness



- **ACS certification N° 05 ACC LY 085 for drinking water on epoxy painting version 02.000P and 02.021P**

Art. 02.1 for gas

- For gas distribution networks (natural gas, town gas, LPG)

02.100 gas

- Ball: chrome plated Brass
- Stem: Brass
- O-Ring: NBR
- T° from -10 to 70°C

body:

GGG40/12



- Colour RAL 5002
- Water-based paint: with low environmental noxiousness



- **International approvals:**
DIN-DVGW
SVGW-SSIGE



SERIE 02

Flanged ball valve PN16

Pressure:

from DN 15 to DN 200, max 16 bar
DN 250, max 10 bar

Temperature:

see pressure/temperature chart

Art. 02.1 with Viton®

body:

- For industrial water supplies, heating/ventilation plants. Plants with superheated water.
- For hydrocarbons

02.100

- Ball: chrome plated Brass
- Stem: Brass
- O-Ring: Viton®
- T° from -20 to 140°C

02.111

- Ball: AISI 304
- Stem: AISI 304
- O-Ring: Viton®
- T° from -20 to 140°C

GGG40/12



- Colour RAL 5002
- Water-based paint: with low environmental noxiousness



Art. 02.3

body:

- Suitable for sea areas and naval plants
- For industrial water supplies, heating/ventilation plants, industrial and chemical uses

02.300

- Ball: chrome plated Brass
- Stem: Brass
- O-Ring: Viton®
- T° from -20 to 140°C

02.322

- Ball: AISI 316
- Stem: AISI 316
- O-Ring: Viton®
- T° from -20 to 140°C

02.377

- Sfera: Bronzo All.
- Asta: Bronzo All.
- O-Ring: Viton®
- T° da -20 a 140°C

Bronze 85.5.5.5 (ASTM B62)



Art. 02.7

body:

- Suitable for sea areas and naval plants
- For industrial and chemical plants
- Body thermal treatment possible

02.722

- Ball: AISI 316
- Stem: AISI 316
- O-Ring: Viton®
- T° from -20 to 140°C
- Bolts and operation lever in AISI 316 steel

02.777

- Ball: Al. Bronze
- Stem: Al. Bronze
- O-Ring: Viton®
- T° from -20 to 140°C
- Bolts and operation lever in AISI 316 steel

Al. Bronze (ASTM B148)



SERIE 02

Flanged ball valve PN16

Pressure:

from DN 15 to DN 200, max 16 bar
DN 250, max 10 bar

Temperature:

see pressure/temperature chart

technical data

DIMENSIONS (mm)

DN	15	20	25	32	40	50	65	80	100	125	150	200	250**
Ø	20	20	25	32	40	50	63	76	95	120	145	190	240
B	130	130	170	170	220	220	284	284	360	447	560	1000	350
C	105	105	115	140	150	165	185	200	220	250	285	340	405
H	85	85	95	100	118	125	152	166	180	225	242	320	-

WEIGHT

Kg	2,7	2,7	3,6	4,8	6,2	9,0	12,2	15,5	20	28	38,5	93	180
----	-----	-----	-----	-----	-----	-----	------	------	----	----	------	----	-----

OPERATING TORQUE - ΔP = 16 BAR

Nm	15	15	18	18	18	20	40	70	100	180	250	600	2000
----	----	----	----	----	----	----	----	----	-----	-----	-----	-----	------

N.B. For the choice of the right actuator the operating torque figure we recommend to multiply by safety coefficient of 1,5

FLANGE AND FACE TO FACE LIST

Art. 02 GG25 and GGG400/12

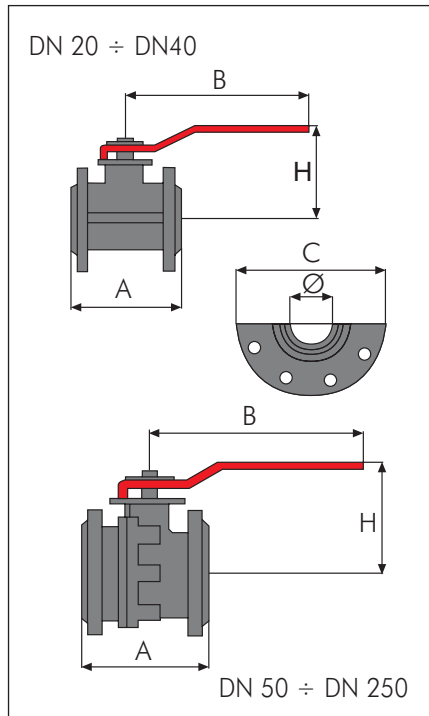
DN	15	20	25	32	40	50	65	80	100	125	150	200	250**
flange: PN6	no	si*	si*	si*	si*	si	si	si	si	si	si	si	si
(standard) PN10/16	si*	si	si	si	si	si	si	si	si	si	si	si	si
PN25	si*	si	si	si	si	si	si	si	no	no	no	no	no
ASA150	no	si*	si*	si*	si*	si	si	si	no	si	si	si	si
Face.A: F4	120	120	125	130	140	150	170	180	190	200	210	-	-
F5	-	-	-	-	-	-	-	-	-	325	350	400	450
NF	-	-	-	-	-	142	154	160	172	186	200	-	-

Art. 02 Bronze /AL ASTM B148 and Bronze ASTM B62

DN	15	20	25	32	40	50	65	80	100	125	150	200	250**
flange: PN6	no	si*	si*	si*	si*	si	si	si	si	si	si	si	si
PN10/16	si*	si	si	si	si	si	si	si	si	si	si	si	si
PN25	si*	si	si	si	si	si	si	si	no	no	no	no	no
ASA150	no	si*	si*	si*	si*	si	si	si	si	si	si	si	si
Face.A: F4	120	120	125	130	140	150	170	180	190	200	210	-	-
F5	-	-	-	-	-	-	-	-	-	-	-	400	450
Only for BZ/AL	ASA150	no	no	no	no	no	178	no	203	229	no	267	no

* With threaded holes

** Standard DN 250 is provided with a manual operation reducer



For more information ask for:

- head loss curves
- installation instructions
- pressure temperature curve
- material list
- construction details

available accessories: see the catalogue

- Extension for thermal insulation
- Square cap for main water system connection
- ISO 5211 plate
- Lockable operation lever
- Micro bearing plate
- Pneumatic and electric motor

Data and features indicated in this brochure are just for information.

Brandoni S.p.A. reserves the right to modify one or more features of its valves without notice.

Serie 02/01-2007/GB