

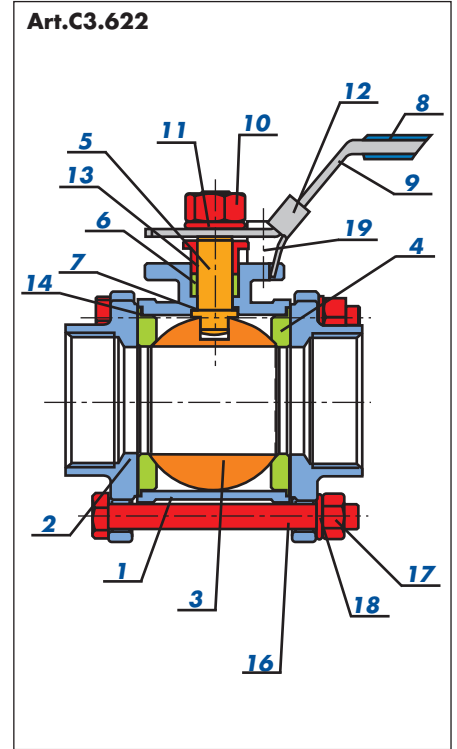
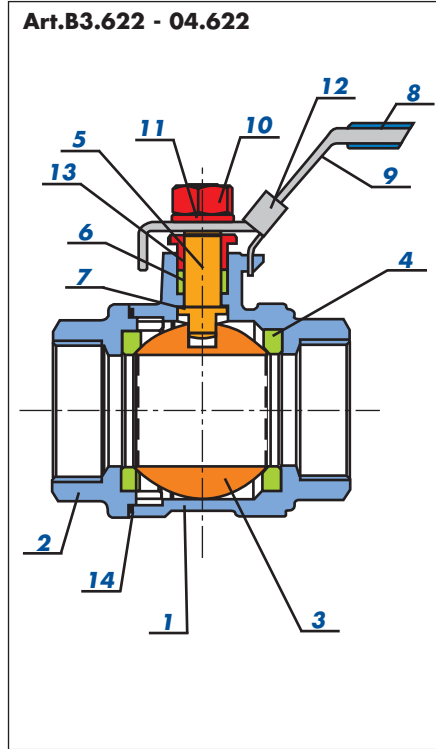
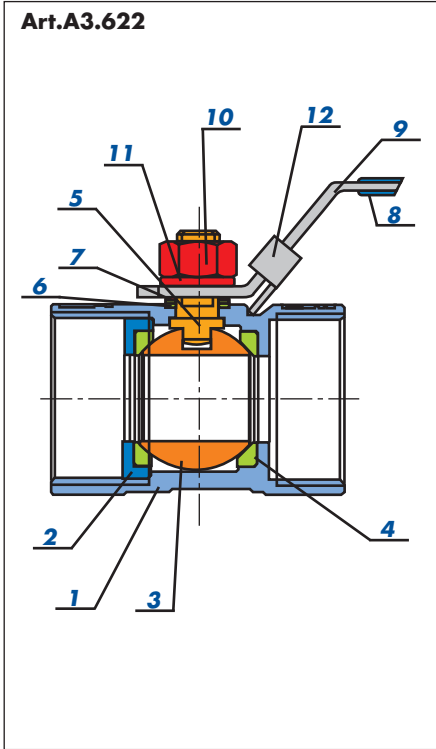
Data and specifications are only available as information. Brandoni S.p.A. reserves the right to modify one or more valve specifications without warning.

DT077
P.C.03/12-2005/GB

Construction details

AISI 316 threaded ball valve

Serie 03 - 04.622



			A3.622	B3.622 - 04.622	C3.622
N°	Description	Quant.			
1	Body	1	AISI 316	AISI 316	AISI 316
2	Ring	1	AISI 316	AISI 316	AISI 316
3	Ball	1	AISI 316	AISI 316	AISI 316
4	Ball seat	2	PTFE - R 15%	PTFE - R 15%	PTFE - R 15%
5	Stem	1	AISI 316	AISI 316	AISI 316
6	Stem packing	1	PTFE	PTFE	PTFE
7	Ring	1	PTFE	PTFE	PTFE
8	Plastic cover	1	Plastic	Plastic	Plastic
9	Handle	1	AISI 304	AISI 304	AISI 304
10	Nut	1	AISI 304	AISI 304	AISI 304
11	Washer	1	AISI 304	AISI 304	AISI 304
12	Lock device	1	AISI 304	AISI 304	AISI 304
13	Pressing bush	1		AISI 304	AISI 316
14	Body seal	1		PTFE	PTFE
16	Bolt	4			AISI 304
17	Nut	4			AISI 304
18	Washer	4			AISI 304
19	Stop pin	1			AISI 304