

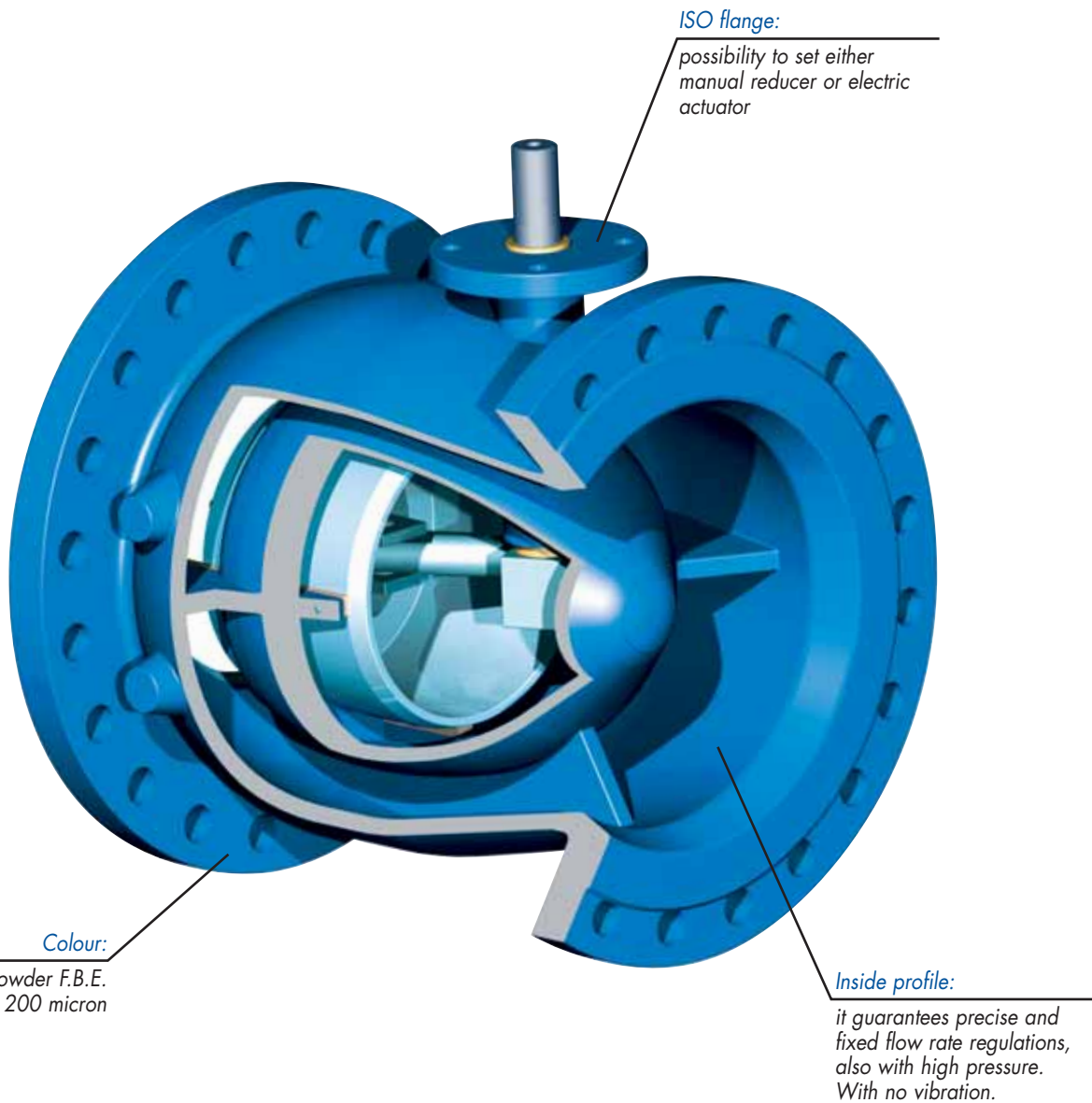
Control valves

Suitable for the waterwork sector. Shut off, check, control, pressure and flow rate regulation.

SERIE 14.000
needle valve
PN 16-25-40-64

control valves

Needle valve 14.000



Control valves

SERIE 14.000: needle valve

The needle valve is mainly designed for the flow rate regulation in a pipeline. The flow regulation happens through the axial movement of a piston, moved by a rod and crank mechanism. The piston is positioned in the center of the body valve, it shuts following the flow and its movement happens in a chamber properly shaped in order to avoid noises and cavitation damages. This feature confers to the valve regular operation with no vibration. The flow rate is led to an annular chamber around the streamlined central body. The cross section of this chamber becomes narrower and narrower from inlet to the throttle. This causes continuous rises of flow speed and fall of the pressure. The geometrically ideal design, confines the cavitation bubbles in the center of the outlet mouth, avoiding damages to the valve. The regulation is got with high head loss, when the valve opening is less than 40%, and very low head loss when the valve opening is more than 50%.

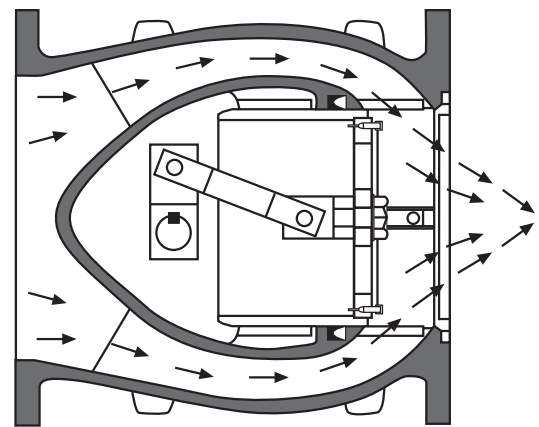


Art. 14.000

Bucral

key features

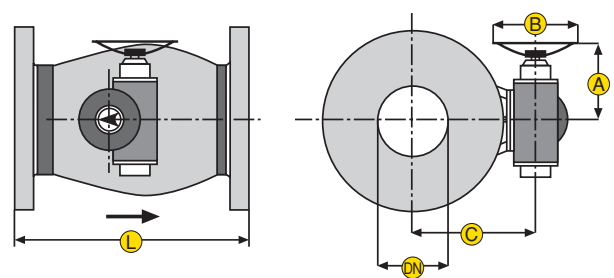
- Employment limits:
maximum pressure
64 bar.
- Operational
temperatures:
max 70°.



technical data

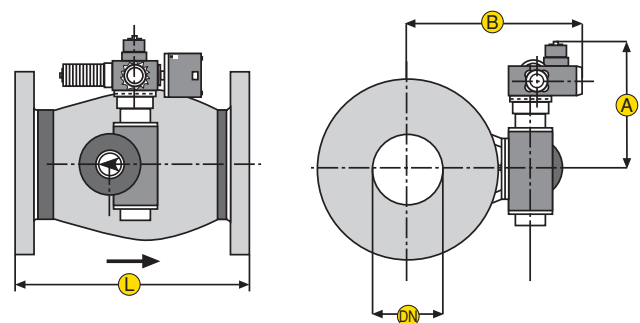
DIMENSIONS (mm)										
DN	80	100	125	150	200	250	300	400	450	500
L	260	300	325	350	400	450	500	600	650	700
A	200	200	220	220	220	260	260	260	260	260
C	180	190	200	230	260	290	290	340	380	410
B	200	200	200	200	200	200	200	200	200	200
WEGHT (Kg)										
	35	45	50	75	130	150	200	350	400	550

manually operated:



electrically operated:

DIMENSIONS (mm)										
DN	80	100	125	150	200	250	300	400	450	500
L	260	300	325	350	400	450	500	600	650	700
A	320	320	320	380	380	420	420	420	480	480
C	400	420	430	460	460	500	500	550	650	700
B	160	160	160	160	160	160	160	160	160	160
WEGHT (Kg)										
	40	50	60	85	140	165	230	380	450	610



Data and specifications are only available as information. Brandoni S.p.A. reserves the right to modify one or more valve specifications without warning.