

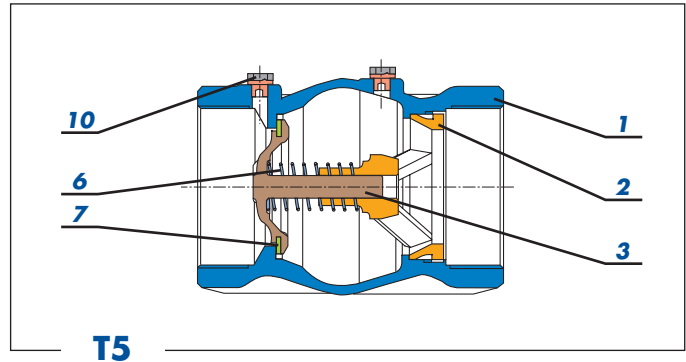
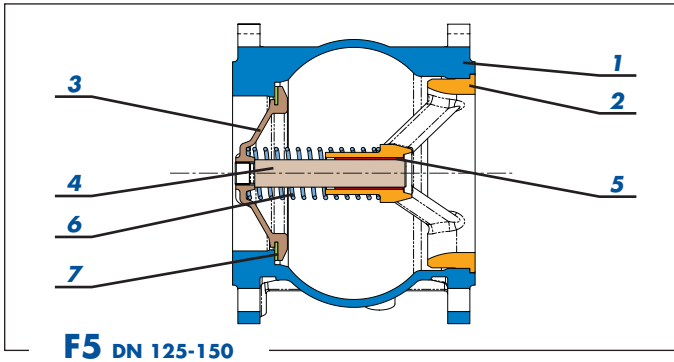
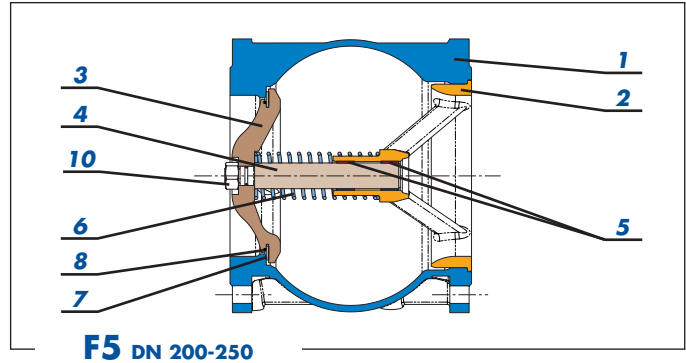
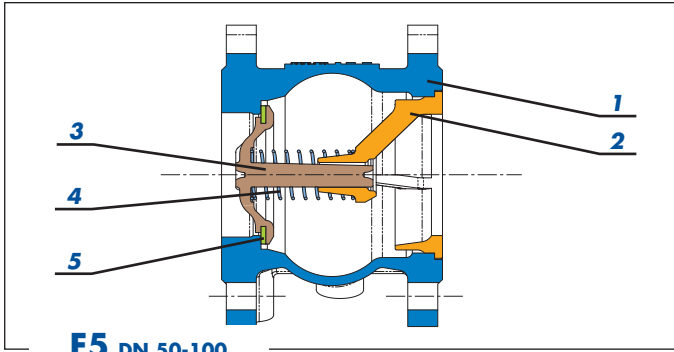
Data and specifications are only available as information. Brandoni S.p.A. reserves the right to modify one or more valve specifications without warning.

DT080
P.C.05/12-2005/GB

Construction details

Check valves

Series 05



	F5.000 T5.000	F5.002 T5.002	F5.008 T5.008	F5.020	F5.022	F5.028
N° Description	Q.ty					
1 Body	1	GG25 Cast iron				
2 Guide (DN 50-100)	1	Brass G/CuZn40Pb2		AISI 316		
2 Guide (DN 125-250)	1	GG25 Cast iron		AISI 316		
3 Closing system (DN 50-100)	1	Brass G/CuZn40Pb2		AISI 316		
3 Closing system (DN 125-250)	1	GG25 Cast iron		AISI 316		
4 Guiding stem (DN 125-250)	1	Brass P/CuZn40Pb2		AISI 316		
5 Shaft housing (DN 125-250)	1-2	Brass P/CuZn40Pb2		-		
6 Spring	1	AISI 302				
7 Seal	1	NBR	Viton®	EPDM**	NBR	Viton® EPDM**
8 Hex nut (DN 200-250)	1-2	Brass CuZn40Pb2		AISI 316		
9 O Ring (DN 200-250)	1	NBR	Viton®	NBR	NBR	Viton® NBR**
10 Drain plug with O Ring seal*	1-2	BRASS/NBR				

* Optional
** Suitable for drinking water