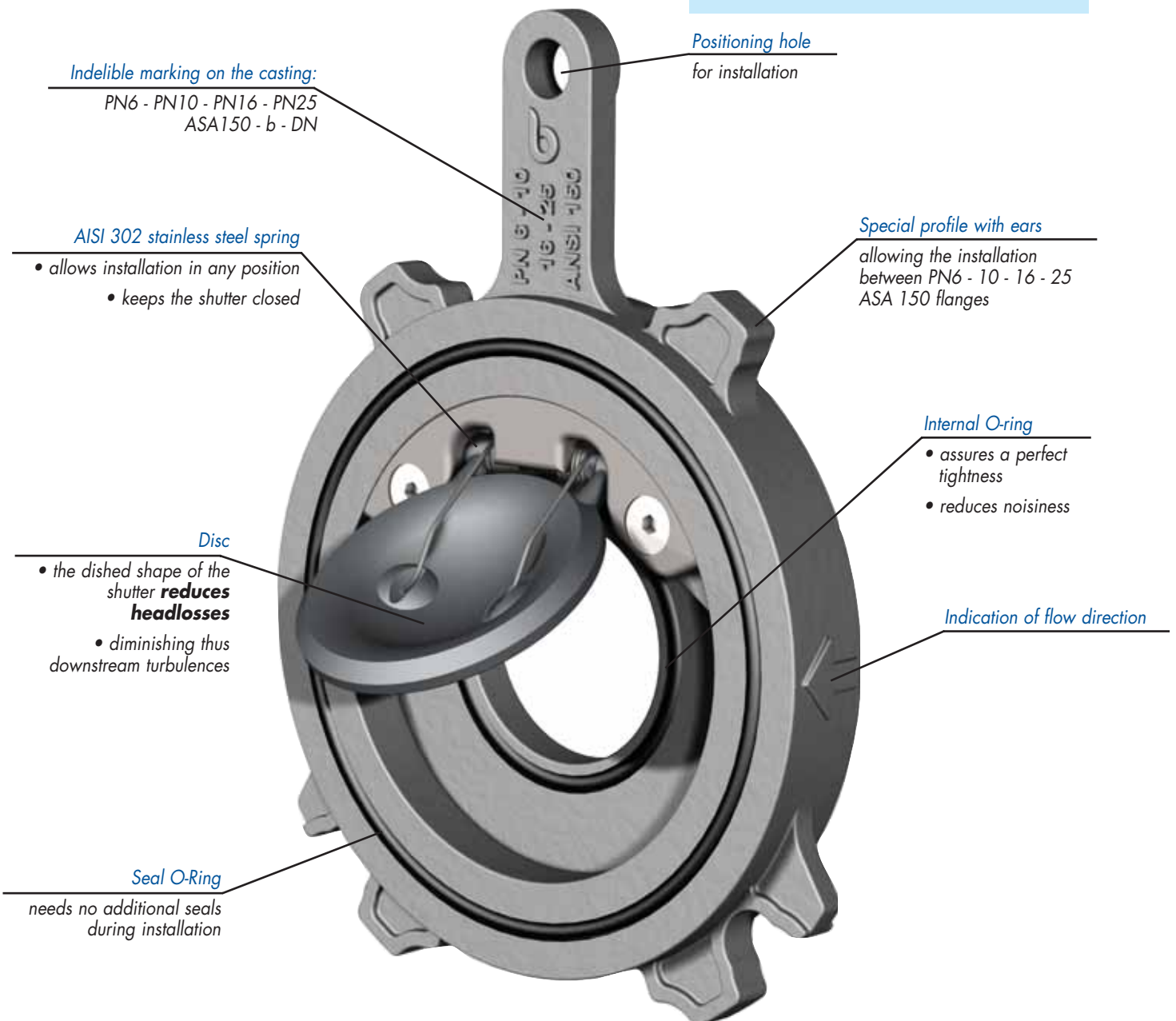


SERIE M6 with spring SERIE 06 without spring

Wafer check valve

- Swing disc
- Small dimensions
- Low head losses
- **Excellent value for money**
- Suitable for installation between PN6 - PN10 - PN16 - PN25 - ASA150 flanges
- **Complying with the 97/23/CE (PED) Directive**

non-return
valves



Indelible marking on the casting:

PN6 - PN10 - PN16 - PN25
ASA150 - b - DN

Positioning hole

for installation

AISI 302 stainless steel spring

- allows installation in any position
- keeps the shutter closed

Special profile with ears

allowing the installation
between PN6 - 10 - 16 - 25
ASA 150 flanges

Internal O-ring

- assures a perfect
tightness
- reduces noisiness

Disc

- the dished shape of the
shutter **reduces
headlosses**
- diminishing thus
downstream turbulences

Indication of flow direction

Seal O-Ring

needs no additional seals
during installation

SERIE M6 with spring
SERIE 06 without spring
Wafer check valve



Pressure: from DN 50 to DN 100 max 25 bar
 from DN 125 to DN 250 max 16 bar

available items

*All the items listed below are available also for the series M6.
 On request, the valves of the series 06 and M6 are available until DN 700*

Art. 06.43

- For water systems, heating/conditioning, industrial and agricultural applications, for compressed air.
- Galvanization

06.430

- O-Ring: NBR
- T° from -10 to 100°C
- Generally available on stock

body:

WCB

disc:

WCB

06.432

- O-Ring: Viton®
- T° up to 150°C
- For hydrocarbons

06.433

- O-Ring: PTFE
- T° up to 200°C

Art. 06.62

- For chemical, food and industrial applications.

06.620

- O-Ring: NBR
- T° from -10 to 100°C
- Generally available on stock

body:

AISI 316

disc:

AISI 316

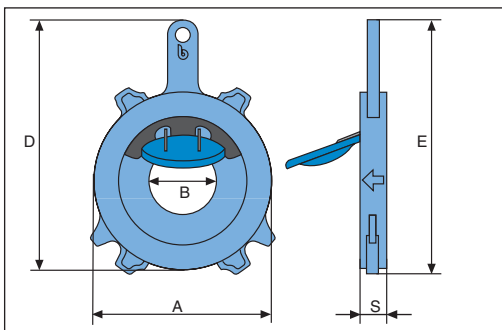
06.622

- O-Ring: Viton®
- T° up to 150°C
- For hydrocarbons

06.623

- O-Ring: PTFE
- T° up to 200°C
- For aggressive fluids

technical data



Dimensions (mm) and Weight (Kg)

DN	50	65	80	100	125	150	200	250
A	99	118	134	154	184	208	264	317
B	33,3	43	53	75	96	118	164	200
S	18,5	18,5	22	23,5	29	34,5	36	38
D	148	166,5	182	208,5	242	269	327	387
E	151	170,5	188	223,5	257	286	335	387
Kg	0,82	1,25	1,86	2,42	3,1	5,23	8,48	12,4

Opening pressure (in mmH²O) in all positions (with spring)

DN	50	65	80	100	125	150	200	250
↓	60	60	45	40	30	30	30	30
↑	200	200	200	180	230	230	240	260
↔	130	130	120	110	130	130	140	140

For more information ask for:

- head loss curves
- installation instructions
- pressure temperature curve
- material list
- construction details

Data and specifications are only available as information. Brandoni S.p.A. reserves the right to modify one or more valve specifications without warning.