

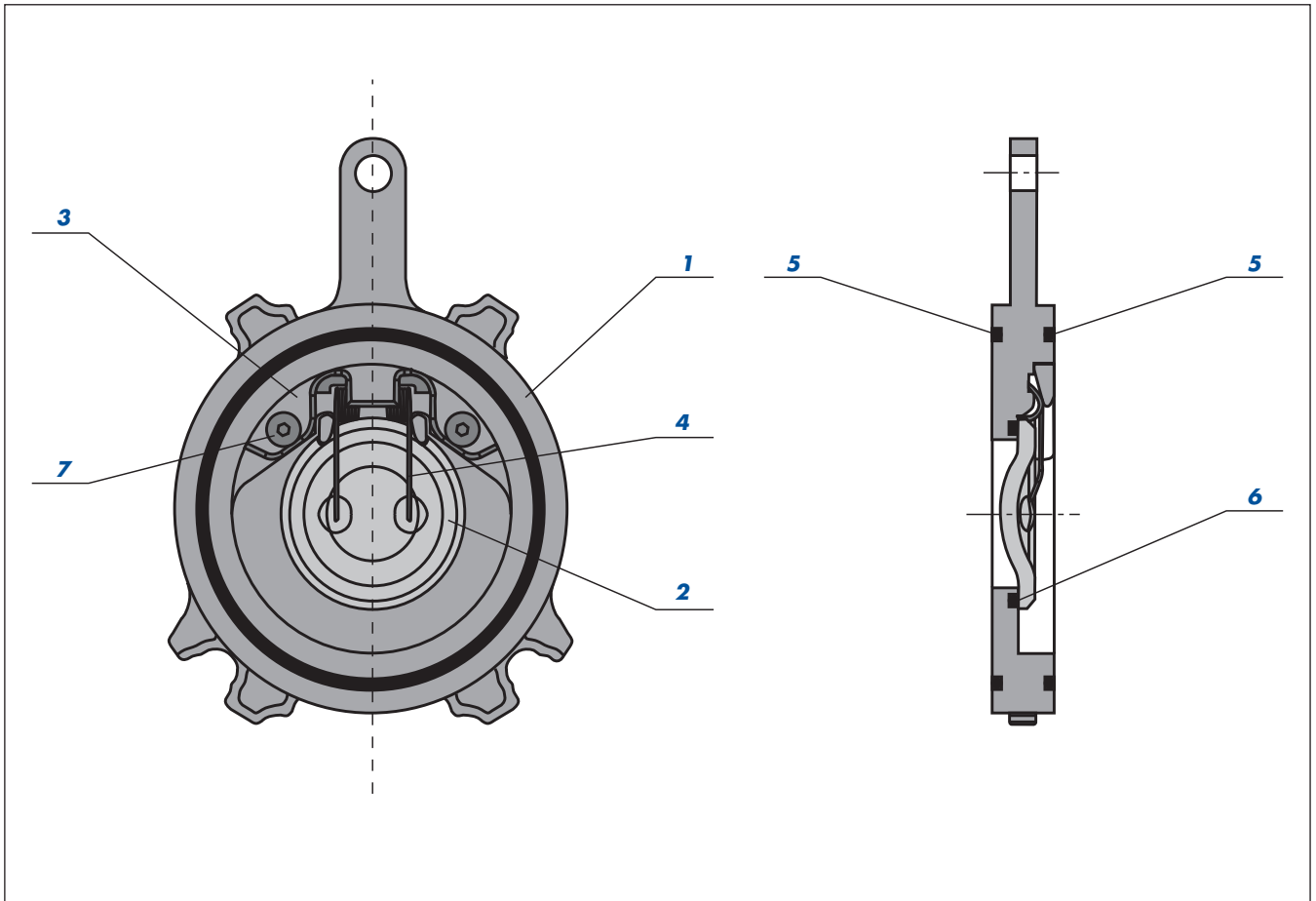
The data and characteristics are indicative only.  
 Brandoni S.p.A. has the right to modify one or more features for the valves without notice.

DT081  
 P.C.06/12-2005/GB

# Construction details

## Check valves

### Series M6-06



|                       | M6.430<br>06.430 | M6.432<br>06.432 | M6.433<br>06.433 | M6.620<br>06.620 | M6.622<br>06.622 | M6.623<br>06.623 |
|-----------------------|------------------|------------------|------------------|------------------|------------------|------------------|
| <b>N° Des. Quant.</b> |                  |                  |                  |                  |                  |                  |
| 1 Body 1              | Carbon steel WCB |                  |                  | AISI 316         |                  |                  |
| 2 Disc 1              | Carbon steel WCB |                  |                  | AISI 316         |                  |                  |
| 3 Plate 1             | Carbon steel WCB |                  |                  | AISI 316         |                  |                  |
| 4 Spring 1            | AISI 302*        |                  |                  |                  |                  |                  |
| 5 O-Ring 2            | NBR              | Viton®           | PTFE             | -NBR             | Viton®           | PTFE-            |
| 6 O-Ring 2            | NBR              | Viton®           | PTFE             | -NBR             | Viton®           | PTFE-            |
| 7 Screw 1             | AISI 304         |                  |                  |                  |                  |                  |

\*Spring (4) is not available in 06 serie.

Via Novara, 199 - 28078 Romagnano Sesia (No) ITALY  
 Tel. +39 0163 8281 11 - Fax +39 0163 8281 30  
 Internet: www.brandoni.it

