

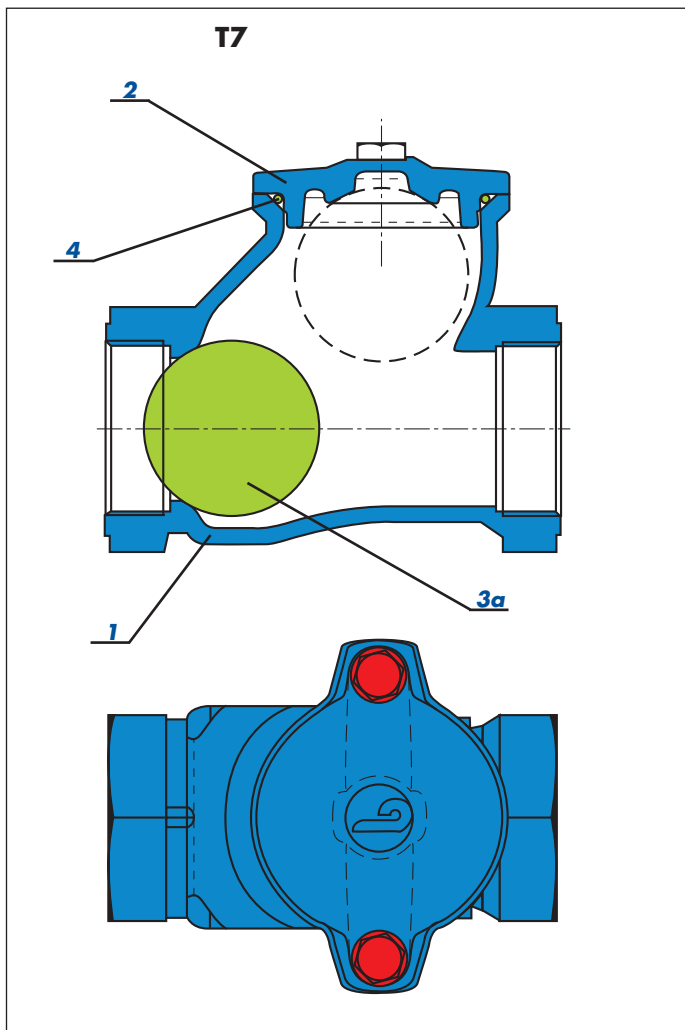
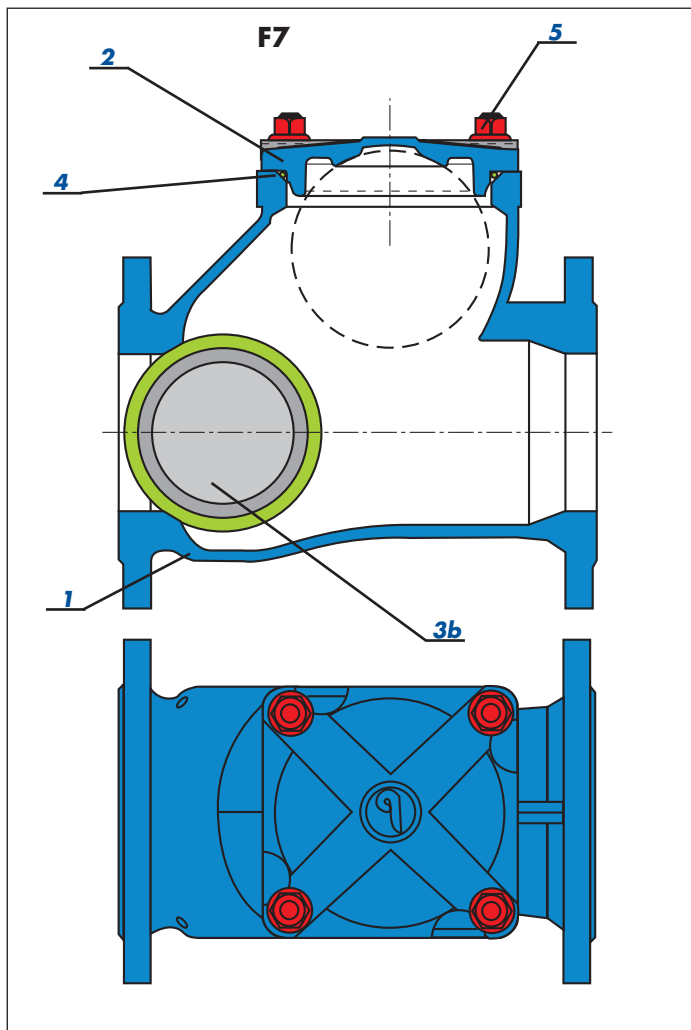
Data and specifications are only available as information. Brandoni S.p.A. reserves the right to modify one or more valve specifications without warning.

DT085
P.C.Y6/12-2005/GB

Construction details

Ball check valve

Serie F7 - Flanged
Serie T7 - Threaded



		F7.000	F7.100	T7.000	T7.100
N°	Den.	Q.tà			
1	Body	1	GG25 Cast iron	GGG40 Cast iron	GG25 Cast iron
2	Cover	1	GGG40 Cast iron	GGG40 Cast iron	GGG40 Cast iron
3a	Ball DN20 - 40	1		Full NBR rubber	Resin
3b	Ball DN50 - 400	1	Metal NBR covered	Metal NBR covered	Metal NBR covered
4	O-Ring	1	NBR	NBR	NBR
5	Stud bolt + flanged nut	24	AISI 304	AISI 304	AISI 304