

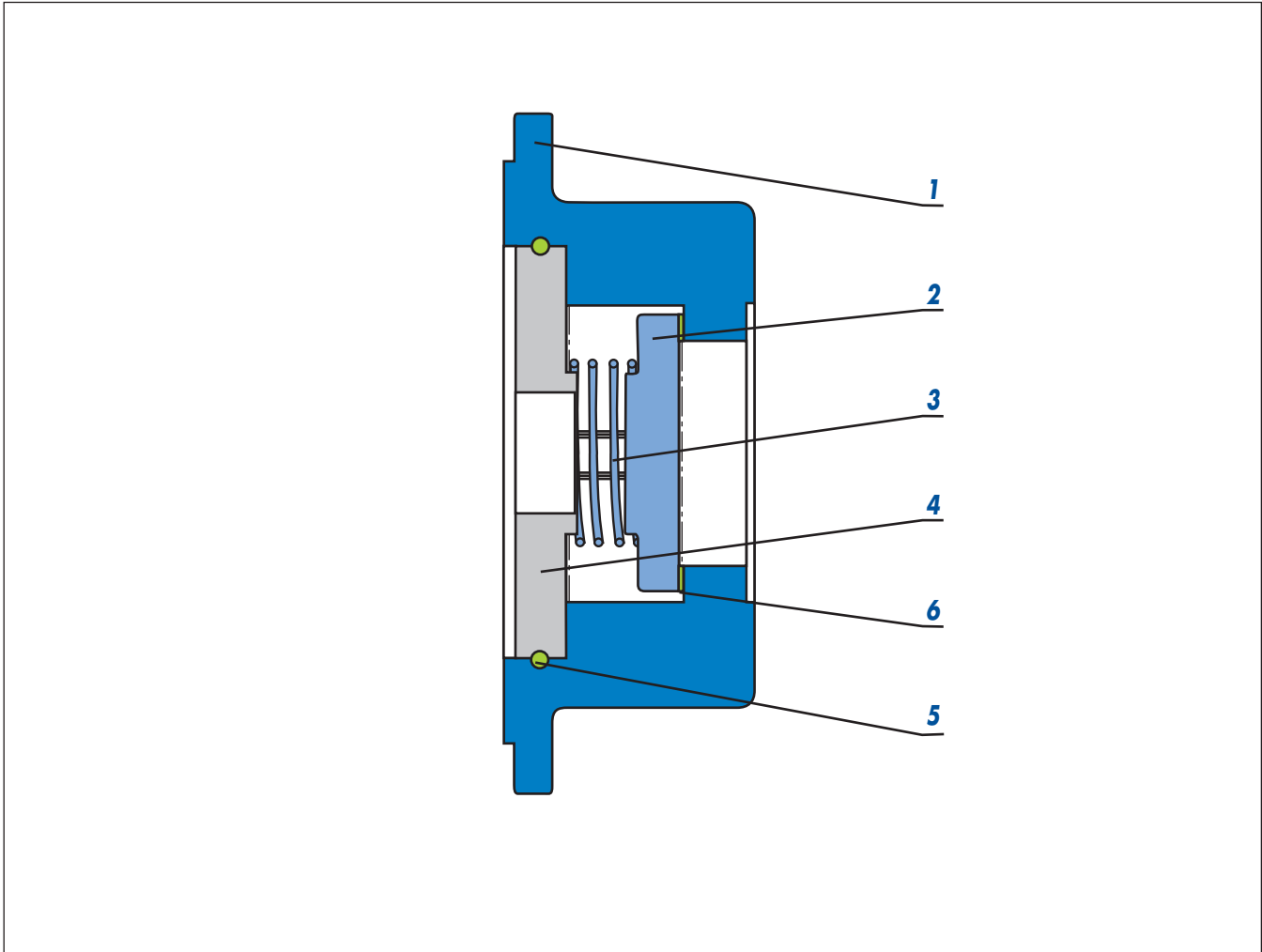
The data and characteristics are indicative only.
 Brandoni S.p.A. has the right to modify one or more features for the valves without notice.

DT083
 P.C.W6/12-2005/GB

Construction details

Interflanged spring check valve

Serie W6



N°	Description	Q.ty	W6.010	W6.416	W6.626
1	Body	1	Cast Iron GG25	Carbon Steel	AISI 316L
2	Disc	1	AISI 316L	AISI 316L	AISI 316
3	Spring	1	AISI 316	AISI 316	AISI 316L
4	Star	1	AISI 316L	AISI 316L	AISI 316L
5	Circlip	1	AISI 316	AISI 316	AISI 316
6	Seat	1	NBR	Metal - Metal	Metal - Metal