

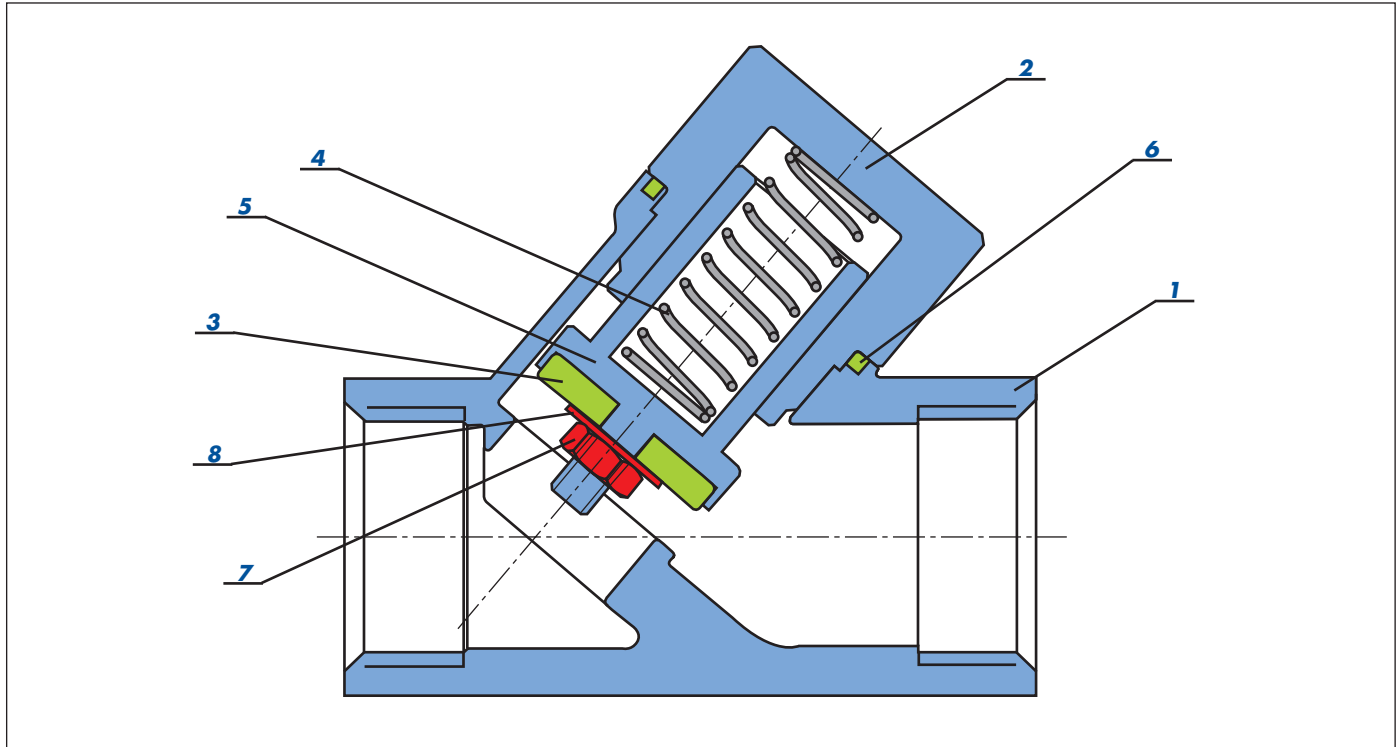
Data and specifications are only available as information. Brandoni S.p.A. reserves the right to modify one or more valve specifications without warning.

DT083
P.C.Y6/12-2005/GB

Construction details

Y pattern check valve

Serie Y6



Y6 600

N°	Description	Quant.	
1	Body	1	AISI 316
2	Cap	1	AISI 316
3	Seal	1	PTFE
4	Spring	1	AISI 316
5	Closing system	1	AISI 316
6	Seal	1	PTFE
7	Hex nut	1	AISI 316
8	Washer	1	AISI 316